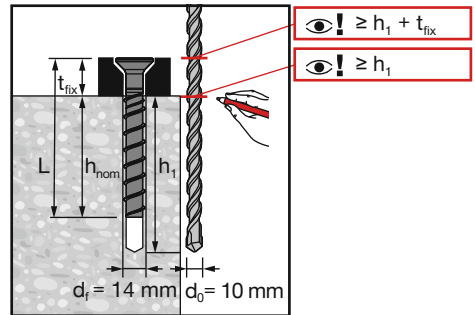
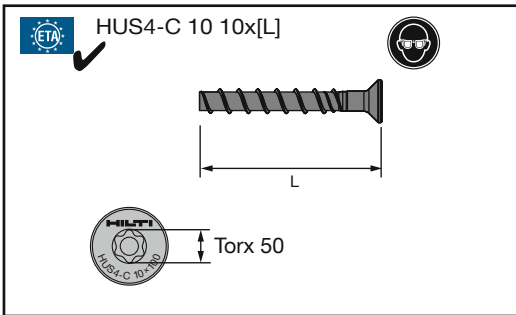




2310567-04.2025

<p>① CE 25 Hilti AG LI-9494 Schaan Hilti Werke 2873-CPR-201-72 ETA-20/0867 Notified body 2873 EAD 330232-01-0601 Product for fixing to- or connecting/supporting of building structures www.hilti.group</p>	<p>② CE 25 Hilti AG, LI-9494 Schaan Hilti Werke 2873-CPR-201-83 ETA-23/0936 Notified body 2873 EAD 330460-00-0604 Product for fixing to- or connecting/supporting of building structures www.hilti.group</p>	<p>③ CE 22 Hilti AG, LI-9494 Schaan Hilti Werke 2873-CPR-201-78 ETA-21/0969 Notified body 2873 EAD 332347-00-0601 Product for fixing to- or connecting/supporting of building structures www.hilti.group</p>
--	---	---

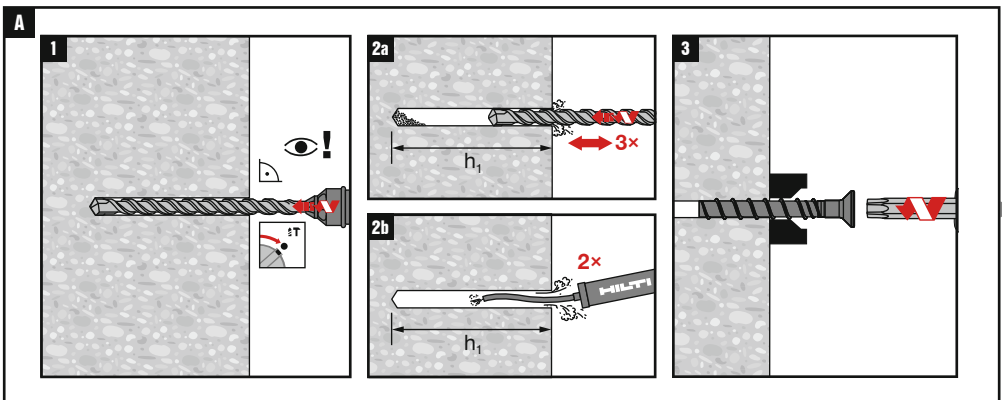
	①	②	③
HUS4-C 10 × 70	✓		
HUS4-C 10 × 90	✓	✓	
HUS4-C 10 × 100	✓	✓	✓
HUS4-C 10 × 120	✓	✓	✓
HUS4-C 10 × 175	✓	✓	✓



		h_{nom} [mm]
ETA ✓		≥ 55

SIW 6AT-A22 1/2", SIW 4AT-22 1/2"		
SIW 6-22 1/2", SIW 6AT-22 1/2"		✓
SIW 22T-A 1/2", SIW 22T-A 3/4"		✓
SIW 9-A22 3/4"		✓
SIW 8-22 1/2"		✓
SF 4-22, SF 6-22		

	$h_1 = h_{nom} + 30 \text{ mm}$	2a
	$h_1 = h_{nom} + 10 \text{ mm}$	2b



4 optional

4a

max. 10 mm

max. 2x

	h_{nom} [mm]	
	< 60	
	≥ 60	

5

4b

h_{nom}

max. 10 mm

B

Hilti TD ✓

ETA ✗

1

e.g. PS 50, PS 300

2

≥ 50 mm

3

≥ 30 mm

4

5