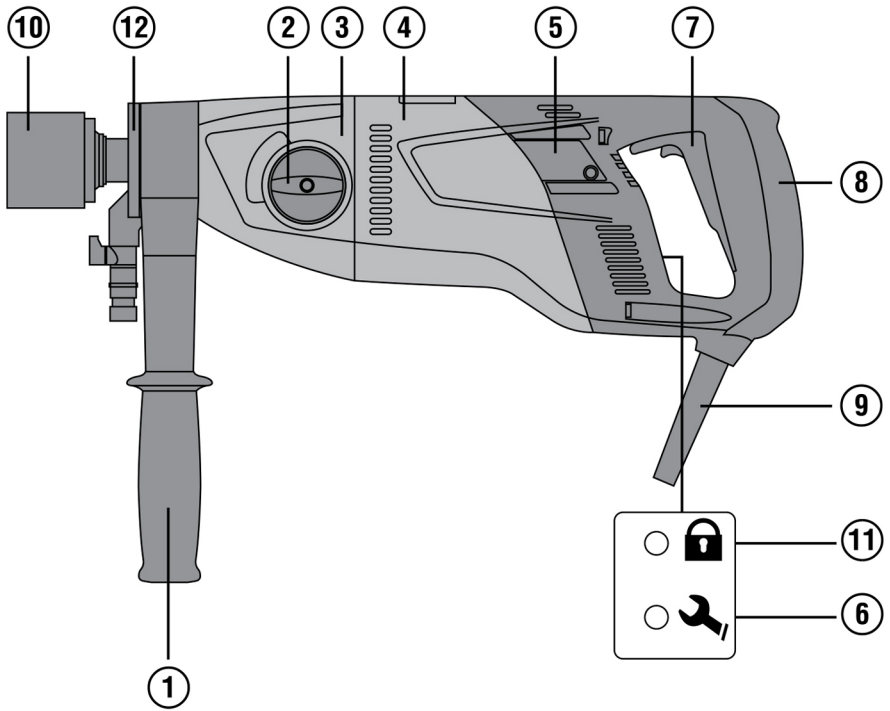


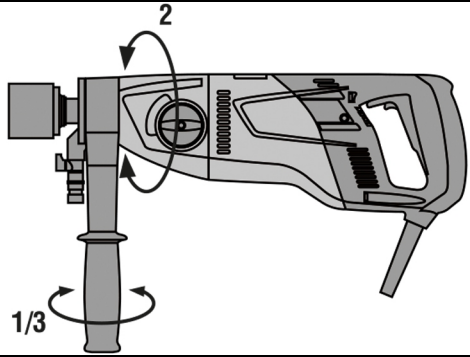


DD 110-W (01)

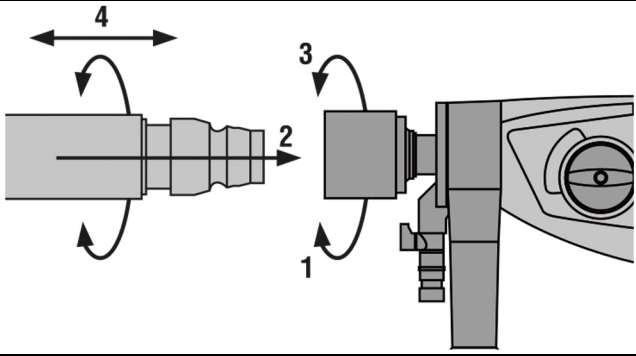
English	1
Français	12
Español	23
Português	35



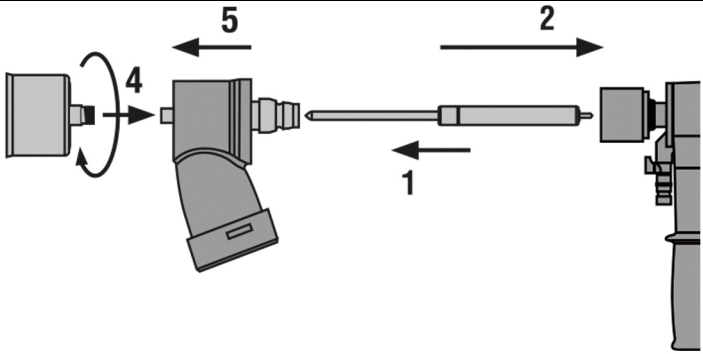
2



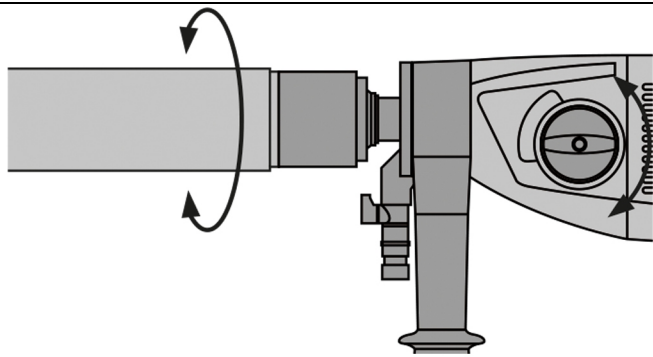
3



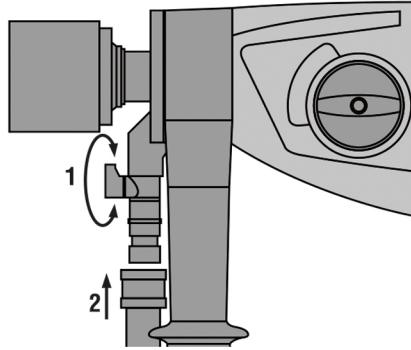
4



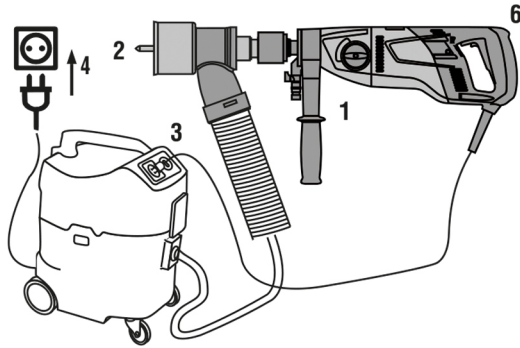
5



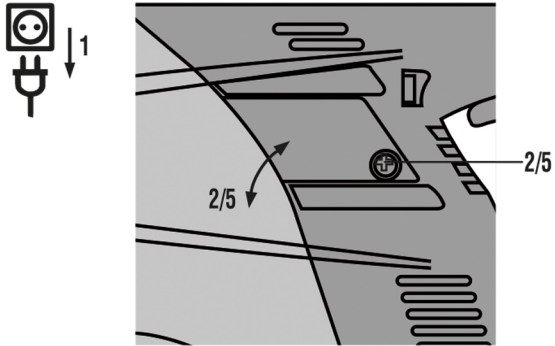
6



7



8



en Original operating instructions

Information about the operating instructions

About these operating instructions

- **Warning!** Read and understand all accompanying documentation, including but not limited to instructions, safety warnings, illustrations, and specifications provided with this product. Familiarize yourself with all the instructions, safety warnings, illustrations, specifications, components, and functions of the product before use. Failure to do so may result in electric shock, fire, and/or serious injury. Save all warnings and instructions for future reference.
- products are designed for professional users and only trained, authorized personnel are permitted to operate, service and maintain the products. This personnel must be specifically informed about the possible hazards. The product and its ancillary equipment can present hazards if used incorrectly by untrained personnel or if used not in accordance with the intended use.
- The accompanying documentation corresponds to the current state of the art at the time of printing. Please always check for the latest version on the product's page on Hilti's website. To do this, follow the link or scan the QR code in this documentation, marked with the symbol
- Ensure that these operating instructions are with the product when it is given to other persons.

Explanation of symbols used

Warnings

Warnings alert persons to hazards that occur when handling or using the product. The following signal words are used:



DANGER

DANGER !

- ▶ Draws attention to imminent danger that will lead to serious personal injury or fatality.



WARNING

WARNING !

- ▶ Draws attention to a potential threat of danger that can lead to serious injury or fatality.



CAUTION

CAUTION !

- ▶ Draws attention to a potentially dangerous situation that could lead to personal injury or damage to the equipment or other property.

Symbols in the operating instructions

The following symbols are used in these operating instructions:

	Comply with the operating instructions
	Instructions for use and other useful information
	Dealing with recyclable materials
	Do not dispose of electric equipment and batteries as household waste

Symbols in illustrations

The following symbols are used in illustrations:

	These numbers refer to the illustrations at the beginning of these operating instructions.
	The numbering reflects the sequence of operations shown in the illustrations and may deviate from the steps described in the text.
	Item reference numbers are used in the overview illustration and refer to the numbers used in the key in the product overview section.
	These characters are intended to specifically draw your attention to certain points when handling the product.

Product-dependent symbols

Warning signs

The following warning signs can be used:

	General warning
	Warning: hazardous electrical voltage
	Warning: hot surface

"Must do" symbols

The following "must do" symbols can be used:



351007

	Wear eye protection
	Wear a hard hat
	Wear ear protection
	Wear protective gloves
	Wear protective footwear
	Wear light respiratory protection

Symbols on the product

The following symbols can be used on the product:

	Locked
	Equipped with theft protection system
	Service indicator
/min	Revolutions per minute
RPM	Revolutions per minute
	The product supports near-field communication (NFC) technology compatible with iOS and Android platforms.
	If applied on the product, the product has been certified by this certification body for the US and Canadian markets according to the applicable standards.

Stickers on the product

Overhead drilling

	Overhead drilling using water cooling is prohibited.
--	--

Ground fault circuit interrupter (PRCD)

	Operate the system only with a fully functional PRCD.
--	---

Safety

General power tool safety warnings

⚠ WARNING Read all safety warnings, instructions, illustrations and specifications provided with this power tool. Failure to follow all instructions listed below may result in electric shock, fire and/or serious injury.

Save all warnings and instructions for future reference.

The term "power tool" in the warnings refers to your mains-operated (corded) power tool or battery-operated (cordless) power tool.

Work area safety

- ▶ **Keep work area clean and well lit.** Cluttered or dark areas invite accidents.
- ▶ **Do not operate power tools in explosive atmospheres, such as in the presence of flammable liquids, gases or dust.** Power tools create sparks which may ignite the dust or fumes.
- ▶ **Keep children and bystanders away while operating a power tool.** Distractions can cause you to lose control.



Electrical safety

- ▶ **Power tool plugs must match the outlet. Never modify the plug in any way. Do not use any adapter plugs with earthed (grounded) power tools.** Unmodified plugs and matching outlets will reduce risk of electric shock.
- ▶ **Avoid body contact with earthed or grounded surfaces, such as pipes, radiators, ranges and refrigerators.** There is an increased risk of electric shock if your body is earthed or grounded.
- ▶ **Do not expose power tools to rain or wet conditions.** Water entering a power tool will increase the risk of electric shock.
- ▶ **Do not abuse the cord. Never use the cord for carrying, pulling or unplugging the power tool. Keep cord away from heat, oil, sharp edges or moving parts.** Damaged or entangled cords increase the risk of electric shock.
- ▶ **When operating a power tool outdoors, use an extension cord suitable for outdoor use.** Use of a cord suitable for outdoor use reduces the risk of electric shock.
- ▶ **If operating a power tool in a damp location is unavoidable, use a residual current device (RCD) protected supply.** Use of an RCD reduces the risk of electric shock.

Personal safety

- ▶ **Stay alert, watch what you are doing and use common sense when operating a power tool. Do not use a power tool while you are tired or under the influence of drugs, alcohol or medication.** A moment of inattention while operating power tools may result in serious personal injury.
- ▶ **Use personal protective equipment. Always wear eye protection.** Protective equipment such as a dust mask, non-skid safety shoes, hard hat or hearing protection used for appropriate conditions will reduce personal injuries.
- ▶ **Prevent unintentional starting. Ensure the switch is in the off-position before connecting to power source and/or battery pack, picking up or carrying the tool.** Carrying power tools with your finger on the switch or energising power tools that have the switch on invites accidents.
- ▶ **Remove any adjusting key or wrench before turning the power tool on.** A wrench or a key left attached to a rotating part of the power tool may result in personal injury.
- ▶ **Do not overreach. Keep proper footing and balance at all times.** This enables better control of the power tool in unexpected situations.
- ▶ **Dress properly. Do not wear loose clothing or jewellery. Keep your hair and clothing away from moving parts.** Loose clothes, jewellery or long hair can be caught in moving parts.
- ▶ **If devices are provided for the connection of dust extraction and collection facilities, ensure these are connected and properly used.** Use of dust collection can reduce dust-related hazards.
- ▶ **Do not let familiarity gained from frequent use of tools allow you to become complacent and ignore tool safety principles.** A careless action can cause severe injury within a fraction of a second.

Power tool use and care

- ▶ **Do not force the power tool. Use the correct power tool for your application.** The correct power tool will do the job better and safer at the rate for which it was designed.
- ▶ **Do not use the power tool if the switch does not turn it on and off.** Any power tool that cannot be controlled with the switch is dangerous and must be repaired.
- ▶ **Disconnect the plug from the power source and/or remove the battery pack, if detachable, from the power tool before making any adjustments, changing accessories, or storing power tools.** Such preventive safety measures reduce the risk of starting the power tool accidentally.
- ▶ **Store idle power tools out of the reach of children and do not allow persons unfamiliar with the power tool or these instructions to operate the power tool.** Power tools are dangerous in the hands of untrained users.
- ▶ **Maintain power tools and accessories. Check for misalignment or binding of moving parts, breakage of parts and any other condition that may affect the power tool's operation. If damaged, have the power tool repaired before use.** Many accidents are caused by poorly maintained power tools.
- ▶ **Keep cutting tools sharp and clean.** Properly maintained cutting tools with sharp cutting edges are less likely to bind and are easier to control.
- ▶ **Use the power tool, accessories and tool bits etc. in accordance with these instructions, taking into account the working conditions and the work to be performed.** Use of the power tool for operations different from those intended could result in a hazardous situation.
- ▶ **Keep handles and grasping surfaces dry, clean and free from oil and grease.** Slippery handles and grasping surfaces do not allow for safe handling and control of the tool in unexpected situations.

Service

- ▶ **Have your power tool serviced by a qualified repair person using only identical replacement parts.** This will ensure that the safety of the power tool is maintained.

Drill safety warnings

Safety instructions for all operations

- ▶ **Use the auxiliary handle(s).** Loss of control can cause personal injury.
- ▶ **Hold the power tool by insulated gripping surfaces, when performing an operation where the cutting accessory may contact hidden wiring or its own cord.** Cutting accessory contacting a "live" wire may make exposed metal parts of the power tool "live" and could give the operator an electric shock.

Safety instructions when using long drill bits

- ▶ **Never operate at higher speed than the maximum speed rating of the drill bit.** At higher speeds, the bit is likely to bend if allowed to rotate freely without contacting the workpiece, resulting in personal injury.
- ▶ **Always start drilling at low speed and with the bit tip in contact with the workpiece.** At higher speeds, the bit is likely to bend if allowed to rotate freely without contacting the workpiece, resulting in personal injury.
- ▶ **Apply pressure only in direct line with the bit and do not apply excessive pressure.** Bits can bend causing breakage or loss of control, resulting in personal injury.



Additional safety instructions

Personal safety

- ▶ Use the product and accessories only when they are in perfect working order.
- ▶ Never tamper with or modify the product or accessories in any way.
- ▶ During hand-held use, always hold the machine securely with both hands on the grips provided. Keep the grips dry, clean and free from oil and grease.
- ▶ Respiratory protection must be worn if the machine is used without a dust extraction system for work that creates dust.
- ▶ Take frequent breaks and do physical exercises to improve the blood circulation in your fingers. High vibration during long periods of work can lead to disorders of the blood vessels and nervous system in the fingers, hands and wrists.
- ▶ Avoid touching rotating parts. Switch the power tool on only after bringing it into position at the workpiece. Touching rotating parts, especially rotating drill bits, discs or blades, etc. may lead to injury.
- ▶ When working, always lead the supply cord, the extension cord and the vacuum cleaner hose (if applicable) away from the machine to the rear. This will reduce the risk of tripping and falling over the cord or hose while working.
- ▶ Avoid skin contact with drilling slurry.
- ▶ Wear protective gloves when changing the accessory tool. The accessory tool can become hot in use.
- ▶ Children are not permitted to play with the machine and must be instructed accordingly.
- ▶ The power tool is not intended for use by children, by debilitated persons or those who have received no instruction or training.
- ▶ Dust from materials such as paint containing lead, some types of wood, minerals and metal can be harmful to health. Contact with or inhalation of the dust can cause allergic reactions and/or respiratory or other diseases to the operator or bystanders. Certain kinds of dust such as oakwood and beechwood dust are classified as carcinogenic, especially in conjunction with additives for wood conditioning (chromate, wood preservative). Only specialists are permitted to work on material containing asbestos. Use a dust-extraction device wherever possible. To achieve a high level of dust extraction, use a suitable mobile dust extractor of a type that is recommended by **Hilti** for wood dust and/or mineral dust and which is designed for use with this power tool. Make sure that the workplace is well ventilated. It is advisable to wear a filter class P2 dust mask. Comply with national regulations applicable to the materials you will be working with.
- ▶ The user and persons in the vicinity must wear suitable protective goggles, a hard hat, ear defenders, protective gloves, protective footwear and light respiratory protection while the tool is in use.

Power tool use and care

- ▶ Secure the workpiece. Use clamps or a vice to secure the workpiece. The workpiece is thus held more securely than by hand and both hands remain free to operate the machine.
- ▶ Ensure that the accessory tools used are compatible with the tool-holder system and that they are correctly secured in the tool holder.
- ▶ Switch the appliance off and unplug the supply cord in the event of a power failure or interruption in the electric supply. This will prevent accidental restarting when the electric power returns.
- ▶ Do not use damaged insert tools. Check the core bits for chipping, cracks, or heavy wear each time before use. Do not use damaged tools. Fragments of the workpiece or a broken core bit may be ejected and cause injury beyond the immediate area of operation.
- ▶ In accordance with the applications for which it is designed, the product produces a high torque. Always use the side handle and hold the product with both hands. The user must be prepared for sudden stalling of the accessory tool and have an absolutely secure stance with both feet.

Electrical safety

- ▶ Before beginning work, check the working area (e.g. using a metal detector) to ensure that no concealed electric cables or gas and water pipes are present. External metal parts of the power tool may become live, for example, if an electric cable is damaged accidentally. This presents a serious risk of electric shock.
- ▶ Never operate the appliance without the supplied PRCD (GB version: Never operate the appliance without an isolating transformer). Test the PRCD each time before use.
- ▶ Check the appliance's supply cord at regular intervals and have it replaced by a qualified specialist if found to be damaged. If the machine's supply cord is damaged it must be replaced with a special approved, ready-made supply cord available from Hilti Customer Service. Check extension cords at regular intervals and replace them if found to be damaged. Do not touch the supply cord or extension cord if it is damaged while working. Unplug the supply cord from the power outlet. Damaged supply cords or extension cords present a risk of electric shock.
- ▶ Protect yourself from electric shock. Avoid body contact with earthed or grounded objects such as pipes, radiators, kitchen ranges and refrigerators.
- ▶ Do not break the connection to earth by using an adapter plug.
- ▶ Keep power away from the electrical parts of the power tool and from persons in the working area.

Workplace

- ▶ Make sure that the workplace is well ventilated. Exposure to dust at a poorly ventilated workplace may result in damage to the health.
- ▶ Connect a dust removal system if the work creates dust. Drilling materials hazardous to the health (e.g. asbestos) is not permissible.
- ▶ Approval must be obtained from the site engineer or architect prior to beginning drilling work. Drilling work on buildings and other structures may influence the static equilibrium of the structure, especially when steel reinforcing bars or load-bearing components are cut through.
- ▶ It is recommended that rubber gloves and non-skid shoes are worn when working outdoors.
- ▶ When drilling through walls, secure (cordon off) the area behind the wall, as material or the core may fall out on the other side of the wall. When drilling through ceilings, secure (cordon off) the area below as drilled material or the core may drop out and fall down.

Description

Product overview

- | | | | |
|--|---------------|--|-----------------|
| | Side handle | | Gearing section |
| | Gear selector | | Motor |



- | | |
|----------------------|---|
| ⑤ Carbon brush cover | ⑨ Supply cord with PRCD |
| ⑥ Service indicator | ⑩ Tool holder |
| ⑦ On/off switch | ⑪ Theft protection indicator (optional) |
| ⑧ Grip | ⑫ Water swivel |

Intended use

The DD 110-W is an electrically powered diamond core drilling machine designed for hand-held dry drilling in masonry and for hand-held wet drilling in concrete and mineral materials. Drilling in an upward direction in wet-drilling mode is strictly prohibited.

Drilling into materials that produce electrically conductive dust (e.g. magnesium) is not permissible. Whenever possible, use a mobile dust extractor suitable for the application.

To avoid injury, use only genuine Hilti core bits and DD 110-W accessories.

Comply with the safety rules and operating instructions for the accessories used. Observe the information printed in the operating instructions concerning operation, care and maintenance.

The tool is designed for professional use and may be operated, serviced and maintained only by trained, authorized personnel. This personnel must be specifically informed about the possible hazards. The tool and its ancillary equipment may present hazards when used incorrectly by untrained personnel or when used not as directed. Possible fields of use: construction site, workshop, renovation, conversion or new construction.

The tool may be operated only when connected to a power supply providing a voltage and frequency in compliance with the information given on its rating plate.

Working with materials hazardous to the health (e.g. asbestos) is not permissible.

Modification of the tool is not permitted.

Items supplied

Power tool with side handle and tool holder, operating instructions

Other system products approved for use with this product can be found at your local **Hilti Store** or at: www.hilti.group

TPS theft protection system (optional)

The product can be equipped with the optional TPS theft protection system. It can then be unlocked and made ready for operation only through use of the corresponding TPS key.

Technical data

 For rated voltage, rated current, frequency and/or input power, refer to the country-specific rating plate.

If the product is powered by a generator or transformer, the generator or transformer's power output must be at least twice the rated input power shown on the rating plate of the product. The operating voltage of the transformer or generator must always be within +5 % and -15 % of the rated voltage of the device.

Product generation	01	
Weight in accordance with EPTA procedure 01/2003	5.7 kg	
Weight	5.7 kg (12.6 lb)	
Speed	1st gear	740 /min
	2nd gear	1,580 /min
Dimensions (length x width x height)	457 mm x 120 mm x 170 mm (18.0 in x 4.7 in x 6.7 in)	
Protection class	I	
Permissible water supply pressure	≤ 6 bar	
Ambient temperature for operation	-17 °C ... 60 °C (1 °F ... 140 °F)	
Storage temperature	-20 °C ... 70 °C (-4 °F ... 158 °F)	

Core bit diameter

	1st gear	2nd gear
Ø PCM core bits, dry	42 mm ... 162 mm (1.7 in ... 6.4 in)	*/•
Ø HDM core bits, dry	102 mm ... 162 mm (4.0 in ... 6.4 in)	16 mm ... 87 mm (0.6 in ... 3.4 in)
Ø HWC core bits, wet	122 mm ... 132 mm (4.8 in ... 5.2 in)	25 mm ... 112 mm (1.0 in ... 4.4 in)



Use of extension cords **WARNING**

A damaged supply cord presents a hazard! Do not touch the supply cord or extension cord if damaged while working. Disconnect the supply cord plug from the power outlet.

- ▶ Check the appliance's supply cord at regular intervals and have it replaced by a qualified specialist if found to be damaged.

- Use only extension cords of a type approved for the application and with conductors of adequate gauge (cross section). The power tool may otherwise suffer a drop in performance and the extension cord may overheat.
- Check the extension cord for damage at regular intervals.
- Replace damaged extension cords.
- When working outdoors, use only extension cords that are approved and correspondingly marked for this application.



Information on recommended minimum conductor cross-sections and cable lengths is accessible via a link, in the form of a QR code, at the end of this document.

Preparations at the workplace **CAUTION**

Risk of injury! Inadvertent starting of the product.

- ▶ Unplug the supply cord before making adjustments to the power tool or before changing accessories.

Observe the safety instructions and warnings in this documentation and on the product.

Adjusting the side handle 2

1. Slacken the side handle by turning it counter-clockwise.
2. Position the side handle.
3. Secure the side handle by turning it clockwise.
4. Check to ensure that the side handle is tightened securely.

Fitting a diamond core bit in a BI+ tool holder 3 **CAUTION**

Risk of injury when changing the tool! The tool becomes hot as a result of use. It may have sharp edges.



- ▶ Always wear protective gloves when changing the tool.



Replace diamond core bits as soon as their cutting performance and/or rate of drilling progress drops significantly. This generally is the case when the diamond segments have worn down to a certain height (< 2 mm).

The BR, BT, M16 and M27 tool holders require use of a suitable open-end wrench.

The tool holder, the adapter and the cutting tool must be clean and free of dirt and dust.

1. Open the tool holder by turning it in the direction of the symbol .
2. From the front, push the diamond core bit into the tool holder on the diamond core drilling machine, turning it until the teeth engage.
3. Close the tool holder by turning it in the direction of the symbol .
4. Check that the diamond core bit is seated securely in the tool holder.


Removing a diamond core bit from a BI+ tool holder **CAUTION**

Risk of injury when changing the tool! The tool becomes hot as a result of use. It may have sharp edges.

- ▶ Always wear protective gloves when changing the tool.



If using a BR, BT, M27 or M16 tool holder, prevent rotation of the tool holder and use a suitable open-end wrench to remove the core bit.

1. Open the tool holder by turning it in the direction of the symbol .
2. Pull the sleeve on the tool holder in the direction of the arrow towards the machine. This releases the core bit.
3. Remove the core bit.

Installation of socket cutter with dust extraction 4

1. Push the hole-starting aid, point first, as far as it will go, into the connection end for socket cutters with dust removal.
2. Fit the connection end into the tool holder in accordance with the instructions for fitting a diamond core bit.
3. Push the locking ring and the dust extractor back toward the diamond core drilling machine.
4. Fit the socket cutter onto the connection end.
5. Push the dust removal attachment forward until it is in contact with the socket cutter and then secure it in this position by sliding the locking ring toward the socket cutter.
6. Check that the dust extractor is free to rotate relative to the diamond core drilling machine.



Selecting the speed

CAUTION

Risk of damage! The product is faulty.

- ▶ Do not attempt to change gear while the machine is running. Wait until the product has come to a standstill.

Set the selector switch according to the core bit diameter used.

- ▶ While using one hand to turn the core bit, set the switch to the recommended setting.

Fitting the water supply connection

ATTENTION

Hazard due to incorrect use! Incorrect use can result in irreparable damage to the hose.

- ▶ Regularly check the hose for damage and make sure that the maximum permissible water supply pressure is not exceeded (see "Technical data" 5").
- ▶ Make sure that the hose does not come into contact with rotating parts.
- ▶ Make sure that the hose is not damaged as the carriage advances.
- ▶ Comply with the maximum water temperature as stated in the section headed Technical data 5.
- ▶ Check the water supply system to ensure there are no leaks.

To avoid damage to the components, use only fresh water containing no dirt particles.

1. Connect the water flow regulator to the diamond core drilling machine.
2. Connect the water supply (hose coupling).

Operation

WARNING

Damaged power cords are a safety hazard! If the supply cord or extension cord is damaged while work is in progress, immediately disconnect the device and the cord from the electricity supply. Do not touch the damaged part of the cord.

- ▶ Regularly check all supply cords. Replace defective extension cords. Have damaged power cords replaced by a qualified specialist.

Use of a ground fault circuit interrupter (residual current device, RCD) with a maximum tripping current of 30 mA is recommended.

TPS Theft Protection System (optional)

The product can be equipped with the optional TPS theft protection system. If the product you own is equipped with this function it can be unlocked and made ready for operation only through use of the corresponding TPS key.

Enabling product

- ▶ Make sure that the product is connected to the electricity supply. The yellow theft protection indicator flashes. The product is now ready to receive the signal from the TPS key.
- ▶ Hold the TPS key or the TPS watch strap buckle against the lock symbol. As soon as the yellow theft protection indicator goes out, the product is enabled.

If, for example, the electric supply is briefly interrupted due to a power failure or disconnected when moving to a different workplace, the product remains ready for operation for approx. 20 minutes. In the event of a longer interruption, the TPS key must be used again to unlock the theft protection system.

Further detailed information on activation and use of the theft protection system can be found in the operating instructions for the TPS theft protection system.

Use of the two-part hole-starting aid

CAUTION

Risk of injury caused by incorrect use! Parts can come off the hole-starting aid if it is not pressed against the work surface.

- ▶ When a hole-starting aid is used, do not run the diamond core drilling machine without the hole-starting aid pressed against the work surface.

A different hole-starting aid is required for each core bit diameter.

1. Fit the hole-starting aid into the open end of the diamond core bit.
2. When you start drilling apply only light pressure until the core bit has centered itself. Then apply more pressure. Drill a guide cut 1/8"-3/16" deep.
3. Release the on/off switch to stop the product. Wait until the core bit comes to a complete stop.
4. Remove the hole-starting aid from the core bit.
5. Position the core bit in the guide cut, press the on/off switch and resume drilling.



Operating portable residual current device (PRCD)**WARNING**

Risk of injury due to electric shock! Do not continue operating the diamond core drilling machine if the indicator on the ground fault circuit interrupter does not go out when the **0** or the **TEST** button is pressed.

- ▶ Have your diamond core drilling machine repaired by **Hilti Service**.


1. Plug the diamond core drilling machine's mains plug into an earthed/grounded power outlet.
2. Press the "**I**" or "**RESET**" button on the portable residual current device (PRCD).
 - ▶ The indicator lights up.
3. Press the "**0**" or "**TEST**" button on the portable residual current device (PRCD).
 - ▶ The indicator goes out.
4. Press the "**I**" or "**RESET**" button on the portable residual current device (PRCD).
 - ▶ The indicator lights up.

Dry-drilling with dust removal


Allowing dust to build up in quantity inside the core bit can cause imbalance.

When working, always route the suction hose to the rear and away from the diamond core drilling machine, so that it cannot come into contact with the core bit.

- ▶ To prevent electrostatic effects, use an anti-static vacuum extractor.

Dry drilling with vacuum cleaner via built-in power outlet for electric devices 

Use slotted core bits only when working without a dust removal system.


1. Secure the side handle in the desired position.
2. Optional: Install and use the two-part hole-starting aid. 
3. Plug the diamond core drilling machine's supply cord into the power outlet of the vacuum extractor.
4. Plug the vacuum extractor's supply cord into the power outlet.
5. When connected: Press the **Reset** switch or **I** button of the PRCD.
6. Center the diamond core drilling machine where the hole is to be drilled.
7. Press the on/off switch on the diamond core drilling machine.



The vacuum extractor will start after the power tool has started. When you switch off the power tool the vacuum extractor will run on for a short time before switching itself off.

Dry-drilling with using a vacuum extractor without power outlet for power tools

Use slotted core bits only when working without a dust removal system.


1. Secure the side handle in the desired position.
2. Optional: Install and use the two-part hole-starting aid. 
3. Plug the vacuum cleaner's supply cord into the power outlet and switch the vacuum cleaner on.
4. Plug the supply cord of the diamond core drilling machine into the power outlet and then press the **Reset** button or **I** button of the PRCD.
5. Center the diamond core drilling machine where the hole is to be drilled.
6. Press the on/off switch on the diamond core drilling machine.
7. To ensure removal of residual material, let the vacuum cleaner run on for a few seconds after you switch off the diamond core drilling machine.

Dry drilling without dust removal

If dry drilling without a dust removal system is carried out, use slotted core bits. Wear suitable breathing protection!

Do not drill upward when working without a dust removal system.

Remove the dust removal attachment or secure it to prevent rotation.

1. Secure the side handle in the desired position.
2. Optional: Install and use the two-part hole-starting aid. 
3. Plug the supply cord into the power outlet and press the **Reset** button or **I** button of the PRCD.
4. Center the diamond core drilling machine where the hole is to be drilled.
5. Press the on/off switch on the diamond core drilling machine.

Wet drilling**WARNING**

Danger of electric shock! There is a possibility of water flowing over the motor and cover if the vacuum removal system is faulty.

- ▶ Cease operations immediately if the vacuum removal system is not working.



For drilling upward, the use of a wet vacuum cleaner in conjunction with a water collection system is a mandatory requirement!

1. Secure the side handle in the desired position.
2. Optional: Install and use the two-part hole-starting aid.
3. Center the diamond core drilling machine where the hole is to be drilled.
4. Slowly open the water flow regulator until the desired volume of water is flowing.
5. Press the on/off switch on the diamond core drilling machine.
6. When you start drilling apply only light pressure until the core bit has centered itself. Then apply more pressure.

Using an open-end wrench to free the core bit

In the event of the core bit sticking, the clutch will slip until the user switches the power tool off.

1. Unplug the supply cord from the power outlet.
2. Grip the diamond core bit with a suitable open-end wrench close to the connection end and turn the diamond core bit to free it.
3. Plug the supply cord into the power outlet.
4. Resume the drilling operation.

Switching off

The core bit is filled with dust/water and drilled-out material. Allow for the extra weight in the core bit and make sure you have a firm stance before you remove the core bit from the drillhole.

1. Remove the diamond core bit from the hole.
2. Switch off the diamond core drilling machine.
3. Close the water flow regulator, if applicable.

Care and maintenance

WARNING

Electric shock hazard! Attempting care and maintenance with the supply cord connected to a power outlet can lead to severe injury and burns.

- ▶ Always unplug the supply cord before carrying out care and maintenance tasks.

Care

- Carefully remove stubborn dirt from the tool.
- Clean the air vents carefully with a dry brush.
- Use only a slightly damp cloth to clean the casing. Do not use cleaning agents containing silicone as they can attack the plastic parts.

Maintenance

WARNING

Danger of electric shock! Improper repairs to electrical components may lead to serious injuries including burns.

- ▶ Repairs to the electrical section of the tool or appliance may be carried out only by trained electrical specialists.
- Check all visible parts and controls for signs of damage at regular intervals and make sure that they all function correctly.
- Do not operate the product if signs of damage are found or if parts malfunction. Have it repaired immediately by **Hilti Service**.
- After cleaning and maintenance, fit all guards or protective devices and check that they function correctly.

To help ensure safe and reliable operation, use only genuine Hilti spare parts and consumables. Spare parts, consumables and accessories approved by Hilti for use with the product can be found at your local **Hilti Store** or online at: **www.hilti.group**.

Replacing the carbon brushes

WARNING

Risk of injury due to electric shock !

- ▶ The machine may be operated, serviced and repaired only by trained, authorized personnel. This personnel must be specially informed of any possible hazards.
1. Open the carbon brush covers on the left-hand and right-hand side of the motor.
 2. **Take note of how the carbon brushes are fitted and how the conductors are positioned.** Remove the worn carbon brushes from the diamond core drilling machine.
 3. Fit the new carbon brushes so that they are positioned exactly the same as the old ones fitted previously.

Take care to avoid damaging the insulation on the indicator lead as you insert the brushes.

4. Close the carbon brush covers on the left-hand and right-hand side of the motor and tighten the retaining screws.
5. Run in the carbon brushes by letting the machine run under no load for at least 1 minute without interruption.

After replacing the carbon brushes the indicator lamp will go out after the machine has run for approx. 1 minute.



Transport and storage

Transport

- ▶ Do not transport this product with an accessory tool installed.
- ▶ Make sure that the equipment is held securely throughout all transport operations.
- ▶ After transporting, always check all visible parts and controls for signs of damage and make sure that they all function correctly.


Storage

- ▶ Always store this product with the electric supply cable unplugged from the electricity supply.
- ▶ Store this product in a dry place, where it cannot be accessed by children or unauthorized persons.
- ▶ Open the water flow regulator before stowing away the product.
- ▶ At temperatures below the freezing point, make sure that no water remains in the product.
- ▶ After a long period of storage, always check all visible parts and controls for signs of damage and make sure that they all function correctly.

Troubleshooting

If the trouble you are experiencing is not listed in this table or you are unable to remedy the problem by yourself, please contact **Hilti Service**.






The diamond core drilling machine is in working order

Malfunction	Possible cause	Action to be taken
 The service indicator lights.	The carbon brush wear limit has almost been reached. The diamond core drilling machine will continue to run for a few hours until it shuts down automatically.	▶ Have the carbon brushes replaced at the next opportunity.
The diamond core drilling machine doesn't achieve full performance.	Supply network fault – undervoltage occurred.	▶ Check whether other power consumers are disrupting the power supply from the network or generator. ▶ Check the length of the extension cord used .
The diamond core bit doesn't rotate.	The gear selector isn't engaged.	▶ Operate the gear selector until it engages.
	The diamond core bit has become jammed in the base material.	▶ Guide the diamond core drilling machine in a straight line. ▶ Use an open-end wrench to release the diamond core bit: Disconnect the mains plug from the power outlet. Grip the diamond core bit with a suitable open-end wrench close to the connection end and release the diamond core bit by rotating it.
The drilling speed is decreasing.	Maximum drilling depth has been reached.	▶ Remove the core and use a core bit extension.
	The core is stuck in the diamond core bit.	▶ Remove the core.
	Wrong core bit specification for the base material.	▶ Select a more suitable diamond core bit specification.
	High steel content (indicated by clear water containing metal cuttings).	▶ Select a more suitable diamond core bit specification.
	The diamond core bit is defective.	▶ Check the diamond core bit for damage and replace it if necessary.
	Wrong gear selected.	▶ Select the right gear.
	Contact pressure is too low.	▶ Increase the contact pressure.
	The machine has too little power.	▶ Select the next lower gear.
	The diamond core bit is polished.	▶ Sharpen the diamond core bit by drilling into a sharpening plate.
	The water flow rate is too high.	▶ Reduce the water flow rate by adjusting the water flow regulator.
	The water flow rate is too low.	▶ Check the water supply to the diamond core bit or, respectively, increase the water flow by adjusting the water flow regulator.
The diamond core bit can't be fitted into the chuck.	The core bit connection end or chuck is dirty or damaged.	▶ Clean and grease the connection end and/or the chuck or replace these parts.
Water escapes at the water swivel or gear housing.	The water pressure is too high.	▶ Reduce the water pressure.





Malfunction	Possible cause	Action to be taken
Water escapes from the chuck during operation.	The diamond core bit isn't securely tightened in the chuck.	<ul style="list-style-type: none"> ▶ Tighten the diamond core bit securely. ▶ Remove the core bit. Rotate the diamond core bit approx. 90° about its own axis. Refit the diamond core bit.
	The core bit connection end / chuck is dirty.	▶ Clean and grease the connection end and/or the chuck.
	The seal at the chuck or at the connection end is defective.	▶ Check the seal and replace it if necessary.
The drilling system has too much play.	The diamond core bit isn't securely tightened in the chuck.	<ul style="list-style-type: none"> ▶ Tighten the diamond core bit securely. ▶ Remove the core bit. Rotate the diamond core bit approx. 90° about its own axis. Refit the diamond core bit.
	The core bit connection end / chuck is defective.	▶ Check the connection end and chuck and replace them if necessary.

The diamond core drilling machine is not in working order

Malfunction	Possible cause	Action to be taken
 The service indicator shows nothing.	The PRCD isn't switched on.	▶ Check that the PRCD is functioning and switch it on.
	Interruption in the electric supply.	<ul style="list-style-type: none"> ▶ Plug in another electric tool or appliance and check whether it works. ▶ Check the plug connections, supply cord, power supply line and main supply fuse.
	Water in the motor.	▶ Allow the diamond core drilling machine to dry out completely in a warm, dry place.
 The service indicator lights.	The carbon brushes are worn out.	▶ Replace the carbon brushes.  9
 The service indicator blinks.	Motor speed error.	▶ Disconnect the diamond core drilling machine from the power supply and then switch it back on again.
 The theft protection indicator blinks.	The diamond core drilling machine has not been unlocked (machines with optional theft protection system).	▶ Use the TPS key to unlock the diamond core drilling machine.

Disposal

 Most of the materials from which **Hilti** tools and appliances are manufactured can be recycled. The materials must be correctly separated before they can be recycled. In many countries, your old tools, machines or appliances can be returned to **Hilti** for recycling. Ask **Hilti** Service or your Hilti representative for further information.

 ▶ Do not dispose of power tools, electronic equipment or batteries as household waste!

Manufacturer's warranty

▶ Please contact your local **Hilti** representative if you have questions about the warranty conditions.

Further information

For more information on operation, technology, environment and recycling, follow this link: qr.hilti.com/manual/?id=351007
 This link is also to be found at the end of the documentation, in the form of a QR code.



Indications relatives au mode d'emploi
À propos de ce mode d'emploi

- **Avertissement** ! Il convient de lire et comprendre toute la documentation jointe, y compris, sans s'y limiter, les instructions, avertissements de sécurité, illustration et spécifications fournies avec le présent produit. Prenez connaissance de toutes les instructions, avertissements de sécurité, illustrations, spécifications et fonctions du produit avant de l'utiliser. Tout manquement à cette obligation peut entraîner un choc électrique, un incendie, et/ou des blessures graves. Conservez l'ensemble des avertissements et instructions pour consultation ultérieure.
- Les produits sont destinés aux professionnels et ne doivent être utilisés, entretenus et réparés que par un personnel autorisé et formé. Ce personnel doit être spécialement instruit quant aux dangers inhérents à l'utilisation de l'appareil. Le produit et ses accessoires peuvent s'avérer dangereux s'ils sont utilisés de manière incorrecte par un personnel non qualifié ou de manière non conforme à l'usage prévu.
- La documentation ci-jointe correspond à l'état actuel de la technique à la date d'impression. Veuillez toujours consulter la dernière version sur la page du produit sur le site Internet de Hilti. Pour ce faire, suivez le lien ou scannez le code QR dans la documentation, indiqué par le symbole
- Ne pas prêter ou céder le produit à un autre utilisateur sans lui fournir le présent mode d'emploi.

Explication des symboles
Avertissements

Les avertissements attirent l'attention sur des dangers liés à l'utilisation du produit. Les termes de signalisation suivants sont utilisés :


DANGER
DANGER !

- ▶ Pour un danger imminent qui peut entraîner de graves blessures corporelles ou la mort.


AVERTISSEMENT
AVERTISSEMENT !

- ▶ Pour un danger potentiel qui peut entraîner de graves blessures corporelles ou la mort.


ATTENTION
ATTENTION !

- ▶ Pour une situation potentiellement dangereuse pouvant entraîner des blessures corporelles ou des dégâts matériels.

Symboles dans le manuel d'utilisation

Les symboles suivants sont utilisés dans le présent manuel d'utilisation :

	Respecter le manuel d'utilisation
	Pour des conseils d'utilisation et autres informations utiles
	Maniement des matériaux recyclables
	Ne pas jeter les appareils électriques et les accus dans les ordures ménagères

Symboles dans les illustrations

Les symboles suivants sont utilisés dans les illustrations :

2	Ces chiffres renvoient à l'illustration correspondante au début du présent manuel d'utilisation.
3	La numérotation détermine la séquence des étapes de travail dans l'image et peut se différencier de celles des étapes de travail dans le texte.
11	Les numéros de position sont utilisés dans l'illustration Vue d'ensemble et renvoient aux numéros des légendes dans la section Vue d'ensemble du produit .
	Ce signe doit inviter à manier le produit en faisant particulièrement attention.

Symboles spécifiques au produit
Symboles d'avertissement

Les symboles d'avertissement suivants peuvent être utilisés :

	Avertissement danger général
	Avertissement tension électrique dangereuse
	Avertissement, risque de surfaces chaudes



Symboles d'obligation

Les symboles d'obligation suivants peuvent être utilisés :

	Porter des lunettes de protection
	Porter un casque de protection
	Porter un casque antibruit
	Porter des gants de protection
	Porter des chaussures de protection
	Porter un masque respiratoire léger

Symboles sur le produit

Les symboles suivants peuvent être utilisés sur le produit :

	Verrouillé
	Remarque concernant la protection contre le vol
	Indicateur de maintenance
/min	Tours par minute
RPM	Tours par minute
	Le produit prend en charge la technologie NFC qui est compatible avec les plates-formes iOS et Android.
	Si présent sur le produit, c'est que le produit a été certifié conformément aux normes en vigueur par cet organisme de certification pour le marché nord-américain et canadien.

Étiquette sur le produit

Applications de forage sous plafond

	Les applications de forage à eau sous plafond sont interdites.
--	--

Disjoncteur différentiel à courant de défaut (PRCD)

	Travailler uniquement avec un disjoncteur PRCD en état de fonctionner.
--	--

Sécurité

Indications générales de sécurité pour les appareils électriques

⚠ AVERTISSEMENT Lire toutes les consignes de sécurité et instructions, illustrations et caractéristiques techniques, qui accompagnent cet outil électroportatif. Tout manquement à l'observation des instructions suivantes risque de provoquer une électrocution, un incendie et/ou de graves blessures.

Les consignes de sécurité et instructions doivent être intégralement conservées pour les utilisations futures.

La notion d'« outil électroportatif » mentionnée dans les consignes de sécurité se rapporte à des outils électriques raccordés au secteur (avec câble d'alimentation) et à des outils électriques sur accu (sans câble d'alimentation).



Sécurité sur le lieu de travail

- ▶ **Conserv**er la zone de travail propre et bien éclairée. Un lieu de travail en désordre ou mal éclairé augmente le risque d'accidents.
- ▶ **Ne pas faire fonctionner les outils électriques en atmosphère explosive et où se trouvent des liquides, des gaz ou poussières inflammables.** Les outils électriques produisent des étincelles qui peuvent enflammer les poussières ou les fumées.
- ▶ **Maintenir les enfants et les personnes présentes à l'écart pendant l'utilisation de l'outil électroportatif.** En cas d'inattention il y a risque de perdre le contrôle de l'appareil.

Sécurité relative au système électrique

- ▶ **La fiche de secteur de l'outil électroportatif doit être adaptée à la prise de courant. Ne jamais modifier la fiche de quelque façon que ce soit. Ne pas utiliser d'adaptateurs avec des outils électriques à branchement de terre.** Des fiches non modifiées et des prises de courant adaptées réduiront le risque de choc électrique.
- ▶ **Éviter le contact physique avec des surfaces mises à la terre tels que tuyaux, radiateurs, cuisinières et réfrigérateurs.** Il y a un risque élevé de choc électrique au cas où votre corps serait relié à la terre.
- ▶ **Ne pas exposer les outils électroportatifs à la pluie ou à l'humidité.** La pénétration d'eau à l'intérieur d'un outil électroportatif augmentera le risque d'un choc électrique.
- ▶ **Ne jamais utiliser le câble de raccordement à d'autres fins que celles prévues, telles que pour porter, accrocher ou débrancher l'outil électroportatif de la prise de courant. Maintenir le câble de raccordement à l'écart de la chaleur, des parties grasses, des bords tranchants ou des parties en mouvement.** Des câbles de raccordement endommagés ou emmêlés augmentent le risque de choc électrique.
- ▶ **Si l'outil électroportatif est utilisé à l'extérieur, utiliser uniquement des câbles de rallonge homologués pour les applications extérieures.** L'utilisation d'un câble de rallonge homologué pour les applications extérieures réduit le risque d'un choc électrique.
- ▶ **Si l'utilisation de l'outil électrique dans un environnement humide ne peut pas être évitée, utiliser un interrupteur de protection contre les courants de court-circuit.** L'utilisation d'un tel interrupteur de protection réduit le risque d'une décharge électrique.

Sécurité des personnes

- ▶ **Rester vigilant, surveiller ce que l'on fait. Faire preuve de bon sens en utilisant l'outil électroportatif. Ne pas utiliser l'outil électroportatif en étant fatigué ou sous l'emprise de l'alcool, de drogues ou de médicaments.** Un moment d'inattention lors de l'utilisation de l'outil électroportatif peut entraîner des blessures graves.
- ▶ **Utiliser un équipement de protection personnel et toujours porter une protection pour les yeux.** Les équipements de protection personnels tels que masque antipoussière, chaussures de sécurité antidérapantes, casque de protection ou protection acoustique suivant l'utilisation de l'outil électroportatif, réduiront le risque de blessures des personnes.
- ▶ **Éviter une mise en service par mégarde. S'assurer que l'outil électroportatif est arrêté avant de le brancher à la source de courant et/ou à l'accu, de le prendre ou de le porter.** Le fait de porter l'outil électroportatif avec le doigt sur l'interrupteur ou de brancher l'appareil sur la source de courant lorsque l'interrupteur est en position de fonctionnement peut entraîner des accidents.
- ▶ **Retirer tout outil de réglage ou toute clé avant de mettre l'outil électroportatif en fonctionnement.** Une clé ou un outil se trouvant sur une partie en rotation peut causer des blessures.
- ▶ **Adopter une bonne posture. Veiller à toujours garder une position stable et équilibrée.** Cela permet un meilleur contrôle de l'outil électroportatif dans des situations inattendues.
- ▶ **S'habiller de manière adaptée. Ne pas porter de vêtements amples ni de bijoux. Garder les cheveux, les vêtements et les gants à distance des parties en mouvement.** Des vêtements amples, des bijoux ou des cheveux longs peuvent être happés par des parties en mouvement.
- ▶ **Si des dispositifs servant à aspirer ou à recueillir les poussières doivent être utilisés, s'assurer qu'ils sont effectivement raccordés et correctement utilisés.** L'utilisation d'un dispositif d'aspiration de la poussière peut réduire les risques dus aux poussières.
- ▶ **Ne pas sous-estimer les mesures de sécurité à prendre et ne pas ignorer sciemment les règles de sécurité applicables aux outils électriques, même si l'on est utilisateur chevronné après de fréquentes utilisations de l'outil électroportatif.** Un manque d'attention peut conduire à de graves blessures en quelques fractions de seconde.

Utilisation et maniement de l'outil électroportatif

- ▶ **Ne pas forcer l'appareil. Utiliser l'outil électroportatif adapté au travail à effectuer.** Un outil électroportatif approprié réalisera mieux le travail et de manière plus sûre au régime pour lequel il a été conçu.
- ▶ **Ne pas utiliser d'outil électroportatif dont l'interrupteur est défectueux.** Tout outil électroportatif qui ne peut plus être mis en ou hors fonctionnement est dangereux et doit être réparé.
- ▶ **Débrancher la fiche de la prise de courant et/ou l'accu amovible avant d'effectuer des réglages sur l'appareil, de changer les accessoires, ou de ranger l'appareil.** Cette mesure de précaution empêche une mise en fonctionnement par mégarde de l'outil électroportatif.
- ▶ **Conserv**er les outils électroportatifs non utilisés hors de portée des enfants. Ne permettre l'utilisation de l'appareil à aucune personne qui ne soit pas familiarisée avec celui-ci ou qui n'a pas lu ces instructions. Les outils électroportatifs sont dangereux lorsqu'ils sont entre les mains de personnes non initiées.
- ▶ **Prendre soin des outils électroportatifs et des accessoires. Vérifier que les parties en mouvement fonctionnent correctement et qu'elles ne sont pas coincées, et contrôler si des parties sont cassées ou endommagées de sorte que le bon fonctionnement de l'outil électroportatif s'en trouve entravé. Faire réparer les parties endommagées avant d'utiliser l'appareil.** De nombreux accidents sont dus à des outils électroportatifs mal entretenus.
- ▶ **Garder les outils de coupe affûtés et propres.** Des outils destinés à couper correctement entretenus avec des arêtes de coupe tranchantes sont moins susceptibles de bloquer et sont plus faciles à contrôler.
- ▶ **L'outil électroportatif, les accessoires, les outils amovibles, etc. doivent être utilisés conformément à ces instructions. Tenir également compte des conditions de travail et du travail à réaliser.** L'utilisation des outils électroportatifs à d'autres fins que celles prévues peut entraîner des situations dangereuses.
- ▶ **Veiller à ce que les poignées et surfaces de préhension soient toujours être sèches, propres et exemptes de traces de graisse ou d'huile.** Avec des poignées et surfaces de préhension glissantes, la sécurité et le contrôle de l'outil électroportatif ne peuvent être assurés dans des situations inopinées.



Service

- ▶ **L'outil électroportatif doit uniquement être réparé par un personnel qualifié, utilisant exclusivement des pièces de rechange d'origine.** Ceci permet d'assurer la sécurité de l'outil électroportatif.

Indications de sécurité pour les perceuses

Consignes de sécurité pour tous les travaux

- ▶ **Utiliser la poignée supplémentaire.** La perte de contrôle peut entraîner des blessures.
- ▶ **Tenir l'outil électroportatif par les surfaces isolées des poignées lors des travaux pendant lesquels l'outil amovible risque de toucher des câbles électriques cachés ou son propre cordon d'alimentation.** Le contact avec un câble sous tension risque de mettre les parties métalliques de l'appareil sous tension et de provoquer une décharge électrique.

Consignes de sécurité lors de l'utilisation de la mèche longue

- ▶ **Ne jamais travailler avec une vitesse de rotation plus élevée que la vitesse de rotation maximale autorisée pour la mèche.** En cas de vitesse de rotation plus élevée, la mèche risque de se déformer légèrement si elle peut tourner librement sans contact avec la pièce travaillée et entraîner des blessures.
- ▶ **Toujours commencer l'opération de perçage à vitesse réduite et alors que la mèche est en contact avec la pièce travaillée.** En cas de vitesse de rotation plus élevée, la mèche risque de se déformer légèrement si elle peut tourner librement sans contact avec la pièce travaillée et entraîner des blessures.
- ▶ **Ne pas exercer de pression excessive et seulement dans le sens longitudinal.** Les mèches peuvent se tordre et donc se casser, ou il peut y avoir perte de contrôle de l'appareil ce qui entraîne un risque de blessures.

Consignes de sécurité supplémentaires

Sécurité des personnes

- ▶ Utiliser le produit et les accessoires uniquement s'ils sont en parfait état.
- ▶ Ne jamais entreprendre de manipulation ni de modification sur le produit ou les accessoires.
- ▶ En mode de guidage manuel, toujours tenir l'appareil des deux mains par les poignées prévues à cet effet. Veiller à ce que les poignées soient toujours sèches, propres et exemptes de traces de graisse et d'huile.
- ▶ Si l'appareil fonctionne sans dispositif d'aspiration de la poussière et si le travail effectué dégage de la poussière, porter un masque respiratoire léger.
- ▶ Faire régulièrement des pauses et des exercices pour favoriser l'irrigation sanguine dans les doigts. En cas de travaux prolongés, les fortes vibrations peuvent perturber la circulation dans les vaisseaux sanguins ou le système nerveux dans les doigts, les mains ou le poignet.
- ▶ Éviter de toucher des pièces en rotation. Brancher l'appareil uniquement dans l'espace de travail. Le fait de toucher des pièces en rotation, en particulier des outils en rotation, risque d'entraîner des blessures.
- ▶ Pendant le travail, toujours tenir le câble d'alimentation réseau et de rallonge, et le cas échéant aussi le tuyau de l'aspirateur, à l'arrière de l'appareil. Ceci permet d'éviter tout risque de chute en trébuchant sur le câble ou le tuyau pendant le travail.
- ▶ Éviter que la peau n'entre en contact avec les boues de forage.
- ▶ Porter des gants de protection pour changer d'outil. L'outil peut être très chaud après utilisation.
- ▶ Avertir les enfants et veiller à ce qu'ils ne jouent pas avec l'appareil.
- ▶ L'appareil n'est pas destiné à être utilisé par des enfants ou des personnes affaiblies sans encadrement.
- ▶ Les poussières de matériaux telles que des poussières de peinture au plomb, de certains types de bois, minéraux et métaux, peuvent être nocives pour la santé. Le contact ou l'aspiration des poussières peut provoquer des réactions allergiques et/ou des maladies respiratoires de l'utilisateur ou de toute personne se trouvant à proximité. Certaines poussières, telles que des poussières de chêne ou de hêtre, sont considérées comme cancérigènes, en particulier lorsqu'elles sont combinées à des additifs destinés au traitement du bois (chromate, produit de protection du bois). Les matériaux contenant de l'amiante doivent seulement être manipulés par un personnel spécialisé. Un dispositif d'aspiration doit être utilisé dans la mesure du possible. Pour une aspiration optimale de la poussière, utiliser de préférence l'aspirateur mobile approprié pour bois et/ou poussières minérales recommandé par Hilti, qui est spécialement étudié pour cet outil électroportatif. Veiller à ce que le poste de travail soit bien ventilé. Il est recommandé de porter un masque antipoussière de la classe de filtre P2. Respecter les prescriptions locales en vigueur qui s'appliquent aux matériaux travaillés.
- ▶ L'utilisateur et les personnes se trouvant à proximité pendant l'utilisation de l'appareil doivent porter des lunettes de protection adaptées, un casque de protection, un casque antibruit, des gants de protection, des chaussures de protection et un masque respiratoire léger.

Utilisation et emploi soigneux de l'outil électroportatif

- ▶ Bien fixer la pièce. Pour ce faire, utiliser un dispositif de serrage ou un étau, pour maintenir la pièce travaillée en place. Elle sera ainsi mieux tenue qu'à la main, et les deux mains restent alors libres pour commander l'appareil.
- ▶ Vérifier que les outils sont bien munis du système d'emmanchement adapté à l'appareil et qu'ils sont toujours correctement verrouillés dans le porte-outil.
- ▶ En cas de coupure de courant, arrêter l'appareil et retirer la fiche de la prise. Cette mesure de précaution empêche une mise en fonctionnement par mégarde de l'appareil lorsque le courant est rétabli.
- ▶ Ne pas utiliser d'accessoires endommagés. Avant chaque utilisation, vérifier que les accessoires ne sont ni écaillés ni usés ou fortement détériorés. Ne pas utiliser d'outils endommagés. Des éclats de la pièce travaillée ou des accessoires cassés risquent d'être projetés et de provoquer des blessures même à l'extérieur de l'espace de travail direct.
- ▶ Du fait de ses applications, le produit possède un couple de rotation élevé. Utiliser la poignée latérale et toujours travailler en tenant le produit des deux mains. L'utilisateur doit être préparé à l'éventualité d'un blocage soudain de l'outil et être en équilibre parfaitement stable sur ses deux pieds.

Sécurité relative au système électrique

- ▶ Avant d'entamer le travail, vérifier, par exemple à l'aide d'un détecteur de métaux, qu'il n'y a pas de câbles ou gaines électriques, tuyaux de gaz ou d'eau cachés dans la zone d'intervention. Toutes pièces métalliques extérieures de l'appareil peuvent devenir conductrices, par exemple, lorsqu'un câble électrique est endommagé par inadvertance. Cela peut entraîner un grave danger d'électrocution.
- ▶ Ne jamais faire fonctionner l'appareil sans le disjoncteur PRCD fourni (pour les versions GB, jamais sans le transformateur de séparation). Contrôler le disjoncteur PRCD avant chaque utilisation.



- ▶ Contrôler régulièrement les câbles de raccordement de l'appareil et les faire remplacer par un spécialiste s'ils sont endommagés. Si le câble de raccordement de l'appareil électrique est endommagé, il doit être remplacé par un câble de raccordement spécialement préparé admissible, disponible auprès du service après-vente. Contrôler régulièrement les câbles de rallonge et les remplacer s'ils sont endommagés. Si le câble d'alimentation réseau ou de rallonge est endommagé pendant le travail, ne pas le toucher. Débrancher la fiche de la prise. Les cordons d'alimentation et câbles de rallonge endommagés représentent un danger d'électrocution.
- ▶ Attention au risque d'électrocution. Éviter tout contact corporel avec des éléments reliés à la terre, comme des tuyaux, des radiateurs, des cuisinières, des réfrigérateurs.
- ▶ Ne pas utiliser de fiche adaptateur pour supprimer la mise à la terre.
- ▶ Maintenir l'eau à l'écart des parties électriques de l'outil électroportatif et des personnes présentes dans l'espace de travail.

Place de travail

- ▶ Veiller à ce que la place de travail soit bien ventilée. Des places de travail mal ventilées peuvent nuire à la santé du fait de la présence excessive de poussière.
- ▶ Si le travail effectué dégage de la poussière, raccorder un dispositif d'aspiration de poussière. Il est interdit de forer des matériaux nocifs pour la santé (par ex. amiante).
- ▶ Faire confirmer les travaux de forage par la direction des travaux. Les travaux de forage dans des bâtiments et autres structures sont susceptibles de modifier la statique de la construction, en particulier lors d'interventions sur des armatures métalliques ou des éléments porteurs.
- ▶ Lors d'interventions à l'extérieur, le port de gants en caoutchouc et de chaussures à semelle antidérapante est recommandé.
- ▶ En cas de perçages à travers un mur, sécuriser la zone située derrière le mur, étant donné que du matériau ou la carotte de perçage risquent de tomber derrière. En cas de perçages à travers un plafond, veiller à protéger un périmètre de sécurité au sol, étant donné que la carotte de perçage risque de tomber.

Description

Vue d'ensemble du produit

- | | |
|--------------------------------|--|
| Poignée latérale | Interrupteur Marche / Arrêt |
| Variateur de vitesse | Poignée |
| Réducteur | Câble d'alimentation réseau avec disjoncteur PRCO |
| Moteur | Porte-outil |
| Couvercle de balais de charbon | Indicateur de protection contre le vol (en option) |
| Indicateur de maintenance | Tête d'injection |

Utilisation conforme à l'usage prévu

La DD 110-W est une carotreuse au diamant électrique destinée au forage manuel guidé à sec dans la maçonnerie et au forage manuel à eau dans le béton et dans des matériaux minéraux. Tout travail au-dessus de la tête en mode forage à eau est strictement interdit.

Il n'est pas permis de forer dans des matériaux qui génèrent des poussières conductrices (tels que du magnésium). Dans la mesure du possible, utiliser un aspirateur mobile adapté à l'application.

Pour éviter tout risque de blessure, utiliser uniquement des couronnes diamantées Hilti et accessoires DD 110-W d'origine.

Respecter également les instructions de sécurité et d'utilisation de l'accessoire utilisé. Bien respecter les consignes concernant l'utilisation, le nettoyage et l'entretien de l'appareil qui figurent dans ce mode d'emploi.

L'appareil est destiné aux utilisateurs professionnels et ne doit être utilisé, entretenu et réparé que par un personnel agréé, formé à cet effet. Ce personnel doit être au courant des dangers inhérents à l'utilisation de l'appareil. L'appareil et ses accessoires peuvent s'avérer dangereux s'ils sont utilisés de manière incorrecte par un personnel non qualifié ou de manière non conforme à l'usage prévu. L'environnement de travail peut être : des chantiers, des ateliers, des rénovations, des transformations et des constructions.

L'appareil ne doit fonctionner qu'avec la tension réseau et la fréquence réseau indiquées sur la plaque signalétique.

Ne pas travailler sur des matériaux susceptibles de nuire à la santé (par ex. amiante).

Toute manipulation ou modification de l'appareil est interdite.

Éléments livrés

Appareil avec poignée latérale et porte-outil, mode d'emploi

D'autres produits système pour votre produit peuvent être trouvés dans votre **Hilti Store** ou à l'adresse : www.hilti.group

Protection contre le vol TPS (en option)

Ce produit peut être équipé en option de la fonction de protection contre le vol TPS. Cette fonction peut uniquement être débloquée et activée à l'aide de la clé correspondante.

Caractéristiques techniques

Les données de tension nominale, courant nominal, fréquence et / ou consommation nominale figurent sur la plaque signalétique spécifique au pays.

En cas d'utilisation avec un groupe électrogène ou un transformateur, leur puissance d'alimentation doit être au moins égale au double de la puissance indiquée sur la plaque signalétique du produit. La tension de service du groupe électrogène ou du transformateur doit être toujours comprise entre +5 % et -15 % par rapport à la tension nominale de l'appareil.

Génération de produit	01
Poids selon la procédure EPTA 01/2003	5,7 kg
Poids	5,7 kg (12,6 lb)



Vitesse de rotation	1ère vitesse	740 tr/min
	2e vitesse	1.580 tr/min
Dimensions (longueur x largeur x hauteur)		457 mm x 120 mm x 170 mm (18,0 in x 4,7 in x 6,7 in)
Classe de protection		I
Pression autorisée dans la conduite d'eau		≤ 6 bar
Température de service en cours de service		-17 °C ... 60 °C (1 °F ... 140 °F)
Température de stockage		-20 °C ... 70 °C (-4 °F ... 158 °F)

Diamètre de couronne diamantée

	1ère vitesse	2e vitesse
Ø Couronnes diamantées PCM à sec	42 mm ... 162 mm (1,7 in ... 6,4 in)	•/•
Ø Couronnes diamantées HDM à sec	102 mm ... 162 mm (4,0 in ... 6,4 in)	16 mm ... 87 mm (0,6 in ... 3,4 in)
Ø Couronnes diamantées HWC à eau	122 mm ... 132 mm (4,8 in ... 5,2 in)	25 mm ... 112 mm (1,0 in ... 4,4 in)

Utilisation de rallonges électriques

AVERTISSEMENT

Danger engendré par un câble endommagé ! Si le câble d'alimentation réseau ou de rallonge est endommagé pendant le travail, ne pas le toucher. Débrancher la prise.

- ▶ Contrôler régulièrement les câbles de raccordement de l'appareil et les faire remplacer par un spécialiste s'ils sont endommagés.
- Utiliser uniquement des rallonges homologuées pour le domaine d'utilisation concerné et de section suffisante. Sinon, une perte de puissance de l'appareil et une surchauffe du câble risquent de se produire.
- Vérifier régulièrement l'état de la rallonge électrique.
- Remplacer les rallonges électriques endommagées.
- À l'extérieur, n'utiliser que des rallonges homologuées et dotées du marquage adéquat.



Les sections minimales recommandées et les longueurs maximales de câbles se trouvent à la fin de la présente documentation, sous forme de code QR.

Préparatifs

ATTENTION

Risque de blessures ! Mise en marche inopinée du produit.

- ▶ Retirer la fiche de la prise avant d'effectuer des réglages sur l'appareil ou de changer les accessoires.

Bien respecter les consignes de sécurité et les avertissements de la présente documentation ainsi que celles figurant sur le produit.

Réglage de la poignée latérale

1. Desserrer la poignée latérale en tournant la poignée latérale dans le sens contraire des aiguilles d'une montre.
2. Positionner la poignée latérale.
3. Fixer la poignée latérale en tournant la poignée latérale dans le sens des aiguilles d'une montre.
4. S'assurer que la poignée latérale est bien serrée.

Montage de la couronne diamantée avec le porte-outil BI+

ATTENTION

Risque de blessures lors du remplacement des outils ! Après utilisation, l'outil peut être très chaud. Il peut présenter des bords tranchants.

- ▶ Toujours porter des gants lors du remplacement des outils.



Les couronnes diamantées doivent être remplacées, sitôt que les performances de troncage ou la progression de forage sont nettement réduites. En général, c'est le cas lorsque les segments diamantés se sont usés jusqu'à une certaine hauteur (<2 mm).

Les porte-outils BR, BT, M16, M27 s'actionnent à l'aide d'une clé à fourche appropriée.

Le porte-outil, l'adaptateur et l'outil doivent être exempts de saletés.

1. Ouvrir le porte-outil en le tournant dans le sens du symbole .
2. Insérer la couronne diamantée par l'avant sur la denture du porte-outil de la carotreuse diamant et la tourner, jusqu'à ce qu'elle s'encliquette.
3. Fermer le porte-outil en le tournant en direction du symbole .
4. Vérifier que la couronne diamantée est bien en place dans le porte-outil.



Démontage de la couronne diamantée avec le porte-outil BI+**ATTENTION**

Risque de blessures lors du remplacement des outils ! Après utilisation, l'outil peut être très chaud. Il peut présenter des bords tranchants.

- ▶ Toujours porter des gants lors du remplacement des outils.



Pour les porte-outils BR, BT, M27, M16, fixer le porte-outil et enlever ensuite la couronne diamantée respectivement à l'aide d'une clé à fourche appropriée.

1. Ouvrir le porte-outil en le tournant dans le sens du symbole
2. Tirer la douille du mandrin sur le porte-outil dans le sens de la flèche vers l'appareil. Ceci permet de déverrouiller la couronne diamantée.
3. Enlever la couronne diamantée.

Montage des couronnes pour perçement avec dispositif d'aspiration des poussières 4

1. Pousser l'amorce de forage avec la pointe vers l'avant jusqu'en butée dans l'emmanchement pour couronnes pour perçement de boîtiers avec dispositif d'aspiration de poussière.
2. Monter l'emmanchement dans le porte-outil selon le montage de la couronne diamantée.
3. Repousser la bague d'arrêt et le dispositif d'aspiration de poussière en direction de la carotteuse diamant.
4. Monter la couronne pour perçement de boîtiers sur l'emmanchement.
5. Pousser le dispositif d'aspiration de poussière vers l'outil, jusqu'à ce qu'il touche la couronne diamantée et le fixer dans cette position tout en poussant la bague d'arrêt vers la couronne pour perçement de boîtiers.
6. Contrôler la liberté de rotation du dispositif d'aspiration de poussière en direction de la carotteuse diamant.

Sélection de la vitesse de rotation 5**ATTENTION**

Risque d'endommagement ! Produit endommagé.

- ▶ Ne pas mettre en service. Attendre jusqu'à ce que le produit se soit arrêté.

Choisir la vitesse en fonction du diamètre de forage utilisé.

- ▶ Tourner le commutateur tout en tournant la couronne diamantée à la main, jusqu'à la position recommandée.

Installation du raccordement d'eau 6**ATTENTION**

Mise en danger en cas d'utilisation incorrecte ! Le flexible risque d'être endommagé en cas d'utilisation incorrecte .

- ▶ Contrôler régulièrement le flexible afin de vérifier qu'il n'est pas endommagé et s'assurer que la pression maximale autorisée n'est pas dépassée dans la conduite d'eau (voir Caractéristiques techniques 16).
- ▶ Veiller à ce que le flexible n'entre pas en contact avec des pièces en rotation.
- ▶ Veiller à ce que le flexible ne soit pas endommagé lorsque le boîtier de guidage avance.
- ▶ Tenir compte des indications relatives à la température maximale de l'eau au chapitre Caractéristiques techniques 16.
- ▶ Vérifier que le système à eau raccordé est bien étanche.



Utiliser uniquement de l'eau claire ou de l'eau exempte de particules de saleté pour éviter d'endommager les composants.

1. Raccorder le dispositif de régulation du débit d'eau à la carotteuse diamant.
2. Établir le branchement avec la conduite d'alimentation en eau (raccord pour tuyaux flexibles).

Utilisation**AVERTISSEMENT**

Danger engendré par un câble endommagé ! Si le câble d'alimentation ou de rallonge est endommagé en cours de travail, débrancher immédiatement l'appareil et le câble du réseau. Ne pas toucher aux pièces défectueuses !

- ▶ Contrôler régulièrement les câbles de branchement. Remplacer les câbles de rallonge défectueux. Les câbles d'alimentation défectueux doivent être remplacés par un professionnel agréé.

Par principe, il est recommandé d'utiliser un interrupteur de protection contre les courants de court-circuit (RCD) avec un courant de déclenchement maximal de 30 mA.

Protection contre le vol TPS (en option)

Ce produit peut être équipé en option de la fonction de protection contre le vol TPS. Si votre produit est équipé de cette fonction, il peut uniquement être débloqué et utilisé avec la clé de déblocage correspondante.

Déblocage du produit

- ▶ S'assurer que le produit est alimenté par la tension du secteur. Le voyant jaune de protection contre le vol clignote. Le produit est maintenant prêt à recevoir le signal de la clé de déblocage.



- ▶ Placer la clé de déblocage ou la boucle de la montre TPS directement sur le symbole de cadenas. Sitôt que le voyant jaune de protection contre le vol s'éteint, le produit est déblocqué.



Si l'alimentation électrique est coupée, par exemple lors du changement de poste de travail ou en cas de panne de courant, l'appareil reste déblocqué pendant environ 20 minutes. En cas d'interruption prolongée, la protection contre le vol doit être à nouveau désactivée à l'aide de la clé de déblocage.



Vous trouverez de plus amples informations sur l'activation et l'utilisation de la protection contre le vol dans le mode d'emploi « Protection contre le vol TPS ».

Utilisation d'une amorce de forage constituée de deux éléments

ATTENTION

Risque de blessures en cas d'utilisation non conforme ! Des morceaux peuvent se détacher de la mèche de centrage si elle n'est pas pressée contre le matériau support.

- ▶ Lorsqu'une amorce de forage est utilisée, ne pas faire fonctionner la carotteuse diamant au ralenti sans contact avec le matériau support.

Une amorce de forage (mèche de centrage) différente doit être utilisée pour chaque diamètre de couronne diamantée.

1. Enficher la mèche de centrage à l'avant dans la couronne diamantée.
2. Au début du forage, appuyer légèrement seulement le temps que la couronne diamantée se centre. Renforcer ensuite la pression. Faire une coupe guidée d'une profondeur de 1/8" à 3/16".
3. Arrêter le produit en relâchant l'interrupteur Marche / Arrêt. Attendre jusqu'à ce que la couronne diamantée soit complètement arrêtée.
4. Retirer l'amorce de forage hors de la couronne diamantée.
5. Positionner la couronne diamantée dans la coupe guidée, appuyer sur l'interrupteur Marche / Arrêt et poursuivre le forage.

Activation du disjoncteur à tension nulle PRCD

AVERTISSEMENT

Risque de blessures entraînées par électrocution ! Si l'affichage du conducteur de protection contre les courants de défaut ne disparaît pas en appuyant sur la touche **0** resp. **TEST**, la carotteuse diamant ne doit plus être utilisée !

- ▶ Faire réparer la carotteuse diamant par le S.A.V. **Hilti**.

1. Insérer la fiche d'alimentation de la carotteuse diamant dans une prise terre.
2. Appuyer sur la touche **I** ou **RESET** sur le disjoncteur à tension nulle PRCD.
 - ▶ L'affichage s'allume.
3. Appuyer sur la touche **0** ou **TEST** sur le disjoncteur à tension nulle PRCD.
 - ▶ L'affichage s'éteint.
4. Appuyer sur la touche **I** ou **RESET** sur le disjoncteur à tension nulle PRCD.
 - ▶ L'affichage s'allume.

Forage à sec avec dispositif d'aspiration de poussière

Une forte accumulation de poussières dans la couronne diamantée risque de provoquer un déséquilibre. Toujours tenir le tuyau d'aspiration à l'arrière de la couronne diamantée, de sorte à ce qu'il ne puisse pas entrer en contact avec la couronne diamantée.

- ▶ Pour éviter tout effet électrostatique, utiliser un système d'aspiration antistatique.

Forage à sec avec aspirateur via la prise secteur intégrée pour appareils électriques

Utiliser les couronnes diamantées ajourées uniquement pour travailler sans aspirateur.

1. Placer la poignée latérale dans la position souhaitée et la fixer.
2. Option : Monter et utiliser l'amorce de forage constituée de deux éléments. 19
3. Brancher la fiche d'alimentation de la carotteuse diamant dans la prise de l'aspirateur.
4. Brancher la fiche d'alimentation de l'aspirateur dans la prise.
5. Une fois le branchement effectué : appuyer sur le contacteur **Reset** ou sur la touche **I** du PRCD.
6. Positionner la carotteuse diamant au centre du forage.
7. Appuyer sur l'interrupteur Marche / Arrêt de la carotteuse diamant.



L'aspirateur démarre en différé après l'outil électroportatif. Après l'arrêt de l'outil électroportatif, l'aspirateur s'arrête en différé.

Forage à sec avec aspirateur sans prise secteur pour outils électroportatifs

Utiliser les couronnes diamantées ajourées uniquement pour travailler sans aspirateur.

1. Placer la poignée latérale dans la position souhaitée et la fixer.



- Option : Monter et utiliser l'amorce de forage constituée de deux éléments. 19
- Brancher la fiche secteur de l'aspirateur dans la prise et allumer l'aspirateur.
- Brancher la fiche secteur de la carotteuse diamant dans la prise et appuyer sur la touche **Reset** ou sur la touche **I** du PRCD.
- Positionner la carotteuse diamant au centre du forage.
- Appuyer sur l'interrupteur Marche / Arrêt de la carotteuse diamant.
- Laisser l'aspirateur tourner quelques secondes plus longtemps que la carotteuse diamant pour aspirer le matériau résiduel.

Forage à sec sans dispositif d'aspiration de poussières

- Si vous forez sans aspiration des poussières, utiliser des couronnes de carottage fendues. Porter un masque respiratoire approprié !
Ne pas forer vers le haut en cas de travail sans aspiration des poussières.
Enlever le dispositif d'aspiration ou le fixer pour l'empêcher de tourner.

- Placer la poignée latérale dans la position souhaitée et la fixer.
- Option : Monter et utiliser l'amorce de forage constituée de deux éléments. 19
- Brancher la fiche secteur dans la prise et appuyer sur le contacteur **Reset** ou sur la touche **I** du PRCD.
- Positionner la carotteuse diamant au centre du forage.
- Appuyer sur l'interrupteur Marche / Arrêt de la carotteuse diamant.

Forage à eau

AVERTISSEMENT

Danger d'électrocution ! En cas d'aspiration défectueuse, de l'eau peut s'écouler au-dessus du moteur et du couvercle !

- Interrompre immédiatement le travail si l'aspiration ne fonctionne plus.

- Pour le forage sous plafond, un aspirateur de liquides en combinaison avec un système de récupération d'eau doit impérativement être utilisé !

- Placer la poignée latérale dans la position souhaitée et la fixer.
- Option : Monter et utiliser l'amorce de forage constituée de deux éléments. 19
- Positionner la carotteuse diamant au centre du forage.
- Ouvrir lentement le dispositif de régulation du débit d'eau jusqu'à ce que la quantité d'eau souhaitée coule.
- Appuyer sur l'interrupteur Marche / Arrêt de la carotteuse diamant.
- Au début du forage, appuyer légèrement seulement le temps que la couronne diamantée se centre. Renforcer ensuite la pression.

Desserrage de la couronne de forage à l'aide d'une clé à fourche

- Si la couronne de forage est coincée, l'accouplement à friction se désengage jusqu'à ce que l'opérateur arrête l'appareil.

- Débrancher la fiche de la prise.
- Saisir la couronne diamantée près de l'emmanchement à l'aide d'une clé à fourche appropriée et desserrer la couronne diamantée en la tournant.
- Brancher la fiche dans la prise.
- Poursuivre le processus de forage.

Arrêt

- La couronne diamantée est remplie de poussière / eau et de matériau de forage. Tenir compte du poids supplémentaire dans la couronne diamantée et s'assurer d'avoir une position stable avant de retirer la couronne diamantée du trou foré.

- Tirer la couronne diamantée hors du trou de forage.
- Arrêter la carotteuse diamant.
- Le cas échéant, fermer le dispositif de régulation du débit d'eau.

Nettoyage et entretien

AVERTISSEMENT

Danger d'électrocution ! Les travaux de nettoyage et d'entretien effectués avec fiche branchée à la prise peuvent entraîner de graves blessures ou brûlures.

- Toujours retirer la fiche de la prise avant tous travaux de nettoyage et d'entretien !

Nettoyage

- Éliminer prudemment les saletés récalcitrantes.
- Nettoyer les ouïes d'aération avec précaution au moyen d'une brosse sèche.
- Nettoyer le boîtier uniquement avec un chiffon légèrement humidifié. Ne pas utiliser de nettoyeurs à base de silicone, ceci pourrait attaquer les pièces en plastique.



Entretien

AVERTISSEMENT

Risque d'électrocution ! Des réparations inappropriées sur des composants électriques peuvent entraîner de graves blessures corporelles et brûlures.

- ▶ Toute réparation des pièces électriques ne doit être effectuée que par un électricien qualifié.
-
- Vérifier régulièrement qu'aucune pièce visible n'est endommagée et que les organes de commande sont parfaitement opérationnels.
 - En cas d'endommagements et/ou de dysfonctionnements, ne pas utiliser le produit. Le faire immédiatement réparer par le S.A.V. Hilti.
 - Après des travaux de nettoyage et d'entretien, vérifier si tous les équipements de protection sont bien en place et fonctionnent parfaitement.

Pour une utilisation en toute sécurité, utiliser uniquement des pièces de rechange et consommables d'origine. Vous trouverez les pièces de rechange, consommables et accessoires autorisés convenant pour votre produit dans le centre **Hilti Store** ou sous : www.hilti.group.

Remplacement des balais de charbon

AVERTISSEMENT

Risque de blessures entraînées par électrocution !

- ▶ L'appareil ne doit être utilisé, entretenu et réparé que par un personnel autorisé et formé à cet effet ! Ce personnel doit être au courant des dangers inhérents à l'utilisation de l'appareil.

1. Ouvrir les couvercles des balais de charbon de part et d'autre de l'unité moteur.
2. **Bien observer comment sont disposés les balais de charbon et les cordons.** Retirer les balais de charbon usagés de la carotreuse au diamant.
3. Installer les nouveaux balais de charbon exactement comme les anciens balais de charbon étaient disposés avant.

Lors de la mise en place, veiller à ne pas endommager l'isolation du cordon de contrôle.

4. Visser les couvercles des balais de charbon de part et d'autre de l'unité moteur.
5. Laisser les balais de charbon tourner à vide au moins pendant 1 minute sans interruption.

Une fois les balais de charbon remplacés, le témoin lumineux s'éteint après 1 minute environ de temps de fonctionnement.

Transport et entreposage

Transport

- ▶ Ne jamais transporter ce produit avec outil monté.
- ▶ Veiller à le tenir fermement pendant le transport.
- ▶ Vérifier après chaque transport qu'aucune pièce visible n'est endommagée et que les organes de commande sont parfaitement opérationnels.

Stockage

- ▶ Toujours stocker l'appareil avec la fiche secteur débranchée.
- ▶ Stocker cet appareil à l'état sec hors de portée des enfants et des personnes non autorisées.
- ▶ Avant d'entreposer le produit, ouvrir le dispositif de régulation du débit d'eau.
- ▶ En cas de températures inférieures au point de gel, veiller à ce qu'il ne reste pas d'eau dans le produit.
- ▶ Vérifier après un stockage prolongé qu'aucune pièce visible n'est endommagée et que les organes de commande sont parfaitement opérationnels.

Aide au dépannage

En cas de défaillances non énumérées dans ce tableau ou auxquelles il n'est pas possible de remédier sans aide, contacter le S.A.V. Hilti.

La carotreuse au diamant est en état de fonctionner






Défaillance	Causes possibles	Solution
<p>L'indicateur de maintenance s'allume.</p>	Le seuil d'usure des balais de charbon est presque atteint. Le temps de fonctionnement restant jusqu'à l'arrêt automatique de la carotreuse au diamant est encore de quelques heures.	<ul style="list-style-type: none"> ▶ Faire remplacer les balais de charbon à la prochaine occasion.
La carotreuse au diamant n'atteint pas la pleine puissance.	Dérangement du secteur – sous-tension dans l'alimentation secteur.	<ul style="list-style-type: none"> ▶ Vérifier si d'autres consommateurs sont à l'origine des dérangements sur le secteur ou, le cas échéant, perturbent le fonctionnement du générateur. ▶ Contrôler la longueur du câble de rallonge électrique.
La couronne diamantée ne tourne pas.	Variateur de vitesse non enclenché.	<ul style="list-style-type: none"> ▶ Actionner le variateur de vitesse jusqu'à ce qu'il soit enclenché.




Défaillance	Causes possibles	Solution
La couronne diamantée ne tourne pas.	La couronne de forage diamantée est coincée dans le matériau support.	<ul style="list-style-type: none"> ▶ Guider la carotteuse au diamant tout droit. ▶ Desserrage de la couronne de forage diamantée à l'aide d'une clé à fourche : Débrancher la fiche de la prise. Saisir la couronne de forage diamantée près de l'emmanchement à l'aide d'une clé à fourche appropriée et desserrer la couronne de forage diamantée en la tournant.
La vitesse de forage diminue.	Profondeur de forage maximale atteinte.	▶ Retirer la carotte et utiliser une rallonge de couronne de forage.
	Carotte coincée dans la couronne de forage diamantée.	▶ Retirer la carotte.
	Spécification erronée du matériau support.	▶ Choisir une spécification de couronne diamantée plus en adéquation.
	Forte proportion d'acier (reconnaissable à l'eau claire mêlée à des copeaux métalliques).	▶ Choisir une spécification de couronne diamantée plus en adéquation.
	Couronne de forage diamantée défectueuse.	▶ Vérifier que la couronne de forage diamantée n'est pas endommagée et la remplacer le cas échéant.
	Sélection d'un régime inapproprié.	▶ Choisir le régime approprié.
	Force d'appui trop faible.	▶ Augmenter la force d'appui.
	Puissance de l'appareil insuffisante.	▶ Augmenter la puissance d'un cran.
	Couronne de forage diamantée polie.	▶ Affûter la couronne de forage diamantée sur un banc d'affûtage.
	Quantité d'eau trop élevée.	▶ Réduire la quantité d'eau au moyen du dispositif de régulation du débit d'eau.
Quantité d'eau insuffisante.	▶ Contrôler l'arrivée d'eau vers la couronne de forage diamantée resp. augmenter la quantité d'eau au moyen du dispositif de régulation du débit d'eau.	
Progression de forage freinée par la poussière.	▶ Utiliser un dispositif d'aspiration de poussière approprié.	
Impossible d'insérer la couronne de forage diamantée dans le porte-outil.	Emmanchement / porte-outil encrassé ou endommagé.	▶ Nettoyer l'emmanchement resp. le porte-outil, le graisser ou le remplacer.
De l'eau sort de la tête d'injection ou du boîtier d'engrenage.	Pression d'eau trop élevée.	▶ Réduire la pression d'eau.
En cours de fonctionnement, de l'eau sort du porte-outil.	Couronne de forage diamantée insuffisamment vissée dans le porte-outil.	<ul style="list-style-type: none"> ▶ Serrer à fond la couronne de forage diamantée dans le porte-outil. ▶ Enlever la couronne de forage diamantée. Tourner la couronne de forage diamantée de 90° env. autour de l'axe de la couronne de forage. Remonter la couronne de forage diamantée.
	Emmanchement / porte-outil encrassé.	▶ Nettoyer et graisser l'emmanchement resp. le porte-outil.
	Anneau d'étanchéité du porte-outil ou de l'emmanchement défectueux.	▶ Vérifier l'anneau d'étanchéité et le remplacer au besoin.
Jeu trop important du système de forage.	Couronne de forage diamantée insuffisamment vissée dans le porte-outil.	<ul style="list-style-type: none"> ▶ Serrer à fond la couronne de forage diamantée dans le porte-outil. ▶ Enlever la couronne de forage diamantée. Tourner la couronne de forage diamantée de 90° env. autour de l'axe de la couronne de forage. Remonter la couronne de forage diamantée.
	Emmanchement / porte-outil défectueux.	▶ Contrôler l'emmanchement et le porte-outil, et le remplacer le cas échéant.



La carotreuse au diamant n'est pas en état de fonctionner

Défaillance	Causes possibles	Solution
 L'indicateur de maintenance n'indique rien.	Disjoncteur PRCD non enclenché.	► Vérifier que le disjoncteur PRCD est en bon état et l'enclencher.
	Coupure d'alimentation électrique.	► Brancher un autre appareil électrique et vérifier s'il fonctionne. ► Contrôler les fiches de raccordement, le câble d'alimentation secteur, le câble électrique et le fusible de secteur.
	Présence d'eau dans le moteur.	► Laisser complètement sécher la carotreuse au diamant dans un endroit chaud et sec.
 L'indicateur de maintenance s'allume.	Balais de charbon usés.	► Remplacer les balais de charbon.  21
 L'indicateur de maintenance clignote.	Vitesse de rotation erronée.	► Débrancher la carotreuse au diamant du secteur puis la rebrancher.
 L'indicateur de protection contre le vol clignote.	Carotreuse au diamant non débloquée (sur les carottes au diamant avec protection antivol, en option).	► Débloquer la carotreuse au diamant à l'aide de la clé de déblocage.

Recyclage

 Les appareils **Hilti** sont fabriqués pour une grande partie en matériaux recyclables. Le recyclage présuppose un tri adéquat des matériaux. **Hilti** reprend les appareils usagés dans de nombreux pays en vue de leur recyclage. Consulter le service clients **Hilti** ou un conseiller commercial.



- Ne pas jeter les appareils électriques, électroniques et accus dans les ordures ménagères !

Garantie constructeur

- En cas de questions sur les conditions de garantie, veuillez vous adresser à votre partenaire **Hilti** local.

Informations complémentaires


Des informations complémentaires concernant l'utilisation, la technique, l'environnement et le recyclage sont disponibles sous le lien ci-dessous : qr.hilti.com/manual/?id=351007

Ce lien figure également à la fin de la documentation sous forme de code QR.

es Manual de instrucciones original

Información sobre el manual de instrucciones

Acerca de este manual de instrucciones

- **¡Atención!** Asegúrese de haber leído y entendido toda la documentación adjunta, incluidas, entre otras, las instrucciones, advertencias de seguridad, ilustraciones y especificaciones que se proporcionan con este producto. Familiarícese con todas las instrucciones, advertencias de seguridad, ilustraciones, especificaciones, componentes y funciones del producto antes de utilizarlo. De lo contrario, existe peligro de descarga eléctrica, incendio y/o lesiones graves. Conserve todas las advertencias e instrucciones para futuras consultas.
- Los productos **HILTI** han sido diseñados para usuarios profesionales y solo personal autorizado y debidamente formado puede utilizarlos y llevar a cabo su mantenimiento y conservación. Este personal debe estar especialmente instruido en lo referente a los riesgos de uso. La utilización del producto y sus dispositivos auxiliares puede conllevar riesgos para el usuario en caso de manejarse de forma inadecuada por personal no cualificado o utilizarse para usos diferentes a los que están destinados.
- La documentación adjunta corresponde al estado actual de la técnica en el momento de la impresión. Compruebe siempre la última versión en la página del producto de la página web de Hilti. Para ello siga el enlace o escanee el código QR que figura en esta documentación y que se indica con el símbolo .
- No entregue nunca el producto a otras personas sin este manual de instrucciones.

Explicación de símbolos

Avisos

Las advertencias de seguridad advierten de peligros derivados del manejo del producto. Se utilizan las siguientes palabras de peligro:



PELIGRO

PELIGRO !

- Término utilizado para un peligro inminente que puede ocasionar lesiones graves o incluso la muerte.



351007

⚠ ADVERTENCIA

ADVERTENCIA !

► Término utilizado para un posible peligro que puede ocasionar lesiones graves o incluso la muerte.

⚠ PRECAUCIÓN

PRECAUCIÓN !

► Término utilizado para una posible situación peligrosa que puede ocasionar lesiones o daños materiales.

Símbolos en el manual de instrucciones

En este manual de instrucciones se utilizan los siguientes símbolos:

	Consulte el manual de instrucciones
	Indicaciones de uso y demás información de interés
	Manejo con materiales reutilizables
	No tirar las herramientas eléctricas y las baterías junto con los desperdicios domésticos

Símbolos en las figuras

En las figuras se utilizan los siguientes símbolos:

2	Estos números hacen referencia a la figura correspondiente incluida al principio de este manual de instrucciones.
3	La numeración describe el orden de los pasos de trabajo en la imagen y puede ser diferente de los pasos descritos en el texto.
⑪	En la figura Vista general se utilizan números de posición y los números de la leyenda están explicados en el apartado Vista general del producto .
	Preste especial atención a este símbolo cuando utilice el producto.

Símbolos del producto

Símbolos de advertencia

Se pueden utilizar los siguientes símbolos de advertencia:

	Advertencia de peligro en general
	Advertencia de tensión eléctrica peligrosa
	Advertencia ante superficie caliente

Señales prescriptivas

Se pueden utilizar las siguientes señales prescriptivas:

	Utilizar protección para los ojos
	Utilizar casco de protección
	Utilizar protección para los oídos
	Utilizar guantes de protección
	Utilizar zapatos de protección
	Utilizar mascarilla ligera

Símbolos en el producto

En el producto se pueden utilizar los siguientes símbolos:

	Bloqueado
	Indicación de protección antirrobo



	Indicador de funcionamiento
/min	Revoluciones por minuto
RPM	Revoluciones por minuto
	El producto es apto para tecnología NFC, que es compatible con las plataformas iOS y Android.
	Si está en el producto, significa que el organismo de certificación lo ha certificado para el mercado estadounidense y canadiense según las normas vigentes.

Adhesivo en el producto

Perforaciones por encima de la cabeza

	Se prohíbe el uso para taladrado en mojado a una altura superior a la cabeza.
--	---

Interruptor de corriente de defecto (PRCD)

	Trabaje exclusivamente con un PRCD en perfecto estado.
--	--

Seguridad

Indicaciones generales de seguridad para herramientas eléctricas

⚠ ADVERTENCIA Lea con atención todas las indicaciones de seguridad, instrucciones, ilustraciones y datos técnicos correspondientes a esta herramienta eléctrica. La negligencia en el cumplimiento de las instrucciones que se describen a continuación podría provocar descargas eléctricas, incendios o lesiones graves.

Conservar todas las instrucciones e indicaciones de seguridad para futuras consultas.

El término «herramienta eléctrica» empleado en las indicaciones de seguridad se refiere a herramientas eléctricas portátiles, ya sea con cable de red o sin cable, en caso de ser accionadas por batería.

Seguridad en el puesto de trabajo

- ▶ **Mantenga su área de trabajo limpia y bien iluminada.** El desorden o una iluminación deficiente de las zonas de trabajo pueden provocar accidentes.
- ▶ **No utilice la herramienta eléctrica en un entorno con peligro de explosión en el que se encuentren líquidos, gases o polvos inflamables.** Las herramientas eléctricas producen chispas que pueden llegar a inflamar los materiales en polvo o vapores.
- ▶ **Mantenga alejados a los niños y otras personas de su puesto de trabajo al emplear la herramienta eléctrica.** Una distracción le puede hacer perder el control sobre la herramienta.

Seguridad eléctrica

- ▶ **El enchufe de la herramienta eléctrica debe corresponder a la toma de corriente utilizada. No se deberá modificar el enchufe en forma alguna. No utilice enchufes adaptadores para las herramientas eléctricas con puesta a tierra.** Los enchufes sin modificar adecuados a las respectivas tomas de corriente reducen el riesgo de descarga eléctrica.
- ▶ **Evite el contacto corporal con superficies que tengan puesta a tierra, como pueden ser tubos, calefacciones, cocinas y frigoríficos.** El riesgo a quedar expuesto a una sacudida eléctrica es mayor si su cuerpo tiene contacto con tierra.
- ▶ **No exponga las herramientas eléctricas a la lluvia y evite que penetren líquidos en su interior.** El riesgo de recibir descargas eléctricas aumenta si penetra agua en la herramienta eléctrica.
- ▶ **No utilice el cable de conexión para transportar o colgar la herramienta eléctrica ni tire de él para extraer el enchufe de la toma de corriente. Mantenga el cable de conexión alejado de fuentes de calor, aceite, aristas afiladas o piezas móviles.** Los cables de conexión dañados o enredados pueden provocar descargas eléctricas.
- ▶ **Cuando trabaje al aire libre con una herramienta eléctrica, utilice exclusivamente un alargador adecuado para exteriores.** La utilización de un alargador adecuado para su uso en exteriores evita el riesgo de una descarga eléctrica.
- ▶ **Cuando no pueda evitarse el uso de la herramienta eléctrica en un entorno húmedo, utilice un interruptor de corriente de defecto.** La utilización de un interruptor de corriente de defecto evita el riesgo de una descarga eléctrica.



Seguridad de las personas

- ▶ **Permanezca atento, preste atención durante el trabajo y utilice la herramienta eléctrica con prudencia. No utilice una herramienta eléctrica si está cansado, ni tampoco después de haber consumido alcohol, drogas o medicamentos.** Un momento de descuido al utilizar la herramienta eléctrica podría producir graves lesiones.
- ▶ **Utilice el equipo de seguridad personal adecuado y lleve siempre gafas protectoras.** El riesgo de lesiones se reduce considerablemente si, según el tipo y la aplicación de la herramienta eléctrica empleada, se utiliza un equipo de seguridad personal adecuado como una mascarilla antipolvo, zapatos de seguridad con suela antideslizante, casco de protección o protección para los oídos.
- ▶ **Evite una puesta en servicio fortuita de la herramienta. Asegúrese de que la herramienta eléctrica está apagada antes de alzarla, transportarla, conectarla a la toma de corriente o insertar la batería.** Si transporta la herramienta eléctrica sujetándola por el interruptor de conexión/desconexión o si introduce el enchufe en la toma de corriente con la herramienta conectada, podría producirse un accidente.
- ▶ **Retire las herramientas de ajuste o llaves fijas antes de conectar la herramienta eléctrica.** Una herramienta o llave colocada en una pieza giratoria puede producir lesiones al ponerse en funcionamiento.
- ▶ **Evite adoptar posturas forzadas. Procure que la postura sea estable y manténgase siempre en equilibrio.** De esta forma podrá controlar mejor la herramienta eléctrica en caso de presentarse una situación inesperada.
- ▶ **Utilice ropa adecuada. No utilice vestimenta amplia ni joyas. Mantenga su pelo, vestimenta y guantes alejados de las piezas móviles.** La vestimenta suelta, las joyas y el pelo largo se pueden enganchar con las piezas en movimiento.
- ▶ **Siempre que sea posible montar equipos de aspiración o captación de polvo, asegúrese de que están conectados y de que se utilizan correctamente.** El uso de un sistema de aspiración de polvo reduce los riesgos derivados del polvo.
- ▶ **No se crea a salvo de cualquier riesgo ni pase por alto ninguna de las normas de seguridad relativas a las herramientas eléctricas, aun cuando esté familiarizado con la herramienta eléctrica y tenga larga experiencia en su uso.** Una actuación negligente puede provocar lesiones graves en cuestión de segundos.

Uso y manejo de la herramienta eléctrica

- ▶ **No sobrecargue la herramienta. Utilice la herramienta eléctrica adecuada para el trabajo que se dispone a realizar.** Con la herramienta eléctrica apropiada podrá trabajar mejor y de modo más seguro dentro del margen de potencia indicado.
- ▶ **No utilice herramientas eléctricas con el interruptor defectuoso.** Las herramientas eléctricas que no se puedan conectar o desconectar son peligrosas y deben repararse.
- ▶ **Extraiga el enchufe de la toma de corriente o retire la batería extraíble antes de efectuar cualquier ajuste en la herramienta, cambiar accesorios o en caso de no utilizar la herramienta durante un tiempo prolongado.** Esta medida preventiva evita el riesgo de arranque accidental de la herramienta eléctrica.
- ▶ **Guarde las herramientas eléctricas que no utilice fuera del alcance de los niños. No permita utilizar la herramienta a ninguna persona que no esté familiarizada con ella o que no haya leído este manual de instrucciones.** Las herramientas eléctricas utilizadas por personas inexpertas son peligrosas.
- ▶ **Cuide su herramienta eléctrica y los accesorios adecuadamente. Compruebe si las piezas móviles de la herramienta funcionan correctamente y sin atascarse, y si existen piezas rotas o deterioradas que pudieran afectar al funcionamiento de la herramienta eléctrica. Encargue la reparación de las piezas defectuosas antes de usar la herramienta eléctrica.** Muchos accidentes son consecuencia de un mantenimiento inadecuado de la herramienta eléctrica.
- ▶ **Mantenga los útiles limpios y afilados.** Las herramientas de corte bien cuidadas y con aristas afiladas se atascan menos y se guían con más facilidad.
- ▶ **Utilice la herramienta eléctrica, los accesorios, útiles de inserción, etc., de acuerdo con estas instrucciones. Para ello, tenga en cuenta las condiciones de trabajo y la tarea que se va a realizar.** El uso de herramientas eléctricas para trabajos diferentes de aquellos para los que han sido concebidas puede resultar peligroso.
- ▶ **Mantenga las empuñaduras y las superficies de contacto secas, limpias y sin residuos de aceite o grasa.** Las empuñaduras y superficies de contacto resbaladizas impiden manejar y controlar la herramienta eléctrica con seguridad en situaciones imprevistas.

Servicio Técnico

- ▶ **Solicite un profesional lleve a cabo la reparación de su herramienta eléctrica y que utilice exclusivamente piezas de repuesto originales.** Solamente así se garantiza la seguridad de la herramienta eléctrica.

Indicaciones de seguridad para taladradoras**Indicaciones de seguridad para todos los trabajos**

- ▶ **Utilice la empuñadura adicional.** La pérdida del control puede causar lesiones.
- ▶ **Sujete la herramienta eléctrica por las empuñaduras aisladas cuando realice trabajos en los que el útil de inserción pueda entrar en contacto con cables eléctricos ocultos o con el propio cable de conexión de la herramienta.** El contacto con los cables conductores puede traspasar la conductividad a las partes metálicas y producir descargas eléctricas.

Indicaciones de seguridad al utilizar la broca larga

- ▶ **No trabaje en ningún caso con una velocidad superior a la velocidad máxima permitida de la broca.** A velocidades elevadas, la broca se puede doblar un poco si gira libremente sin entrar en contacto con la pieza de trabajo, lo que puede provocar lesiones.
- ▶ **Inicio el proceso de perforación siempre con velocidad baja y mientras la broca esté en contacto con la pieza de trabajo.** A velocidades elevadas, la broca se puede doblar un poco si gira libremente sin entrar en contacto con la pieza de trabajo, lo que puede provocar lesiones.
- ▶ **No aplique una presión excesiva y solo en sentido longitudinal respecto a la broca.** Las brocas pueden doblarse y, por consiguiente, romperse o provocar la pérdida del control e incluso lesiones.

Indicaciones de seguridad adicionales**Seguridad de las personas**

- ▶ Utilice el producto y los accesorios solo si están en perfecto estado técnico.
- ▶ No efectúe nunca manipulaciones o modificaciones en el producto ni en los accesorios.
- ▶ En modo manual, sujete siempre la herramienta con ambas manos por las empuñaduras previstas. Mantenga las empuñaduras secas, limpias y sin residuos de aceite o grasa.



- ▶ Si la herramienta se utiliza sin un sistema de aspiración de polvo, debe emplearse una mascarilla ligera al realizar trabajos que generen polvo.
- ▶ Efectúe a menudo pausas y ejercicios para mejorar la circulación de los dedos. Tras muchas horas de trabajo expuesto a las vibraciones intensas, pueden surgir complicaciones en los vasos sanguíneos o en el sistema nervioso en dedos, manos o articulaciones de las manos.
- ▶ Evite tocar las piezas en movimiento. No conecte la herramienta fuera de la zona de trabajo. Tocar piezas en movimiento, en especial herramientas rotativas, puede ocasionar lesiones.
- ▶ Al trabajar, mantenga siempre el cable de red, el alargador y la manguera de aspiración de polvo alejados de la herramienta y por detrás de ésta. Esto reduce el riesgo de caída debido a enredos con el cable o la manguera mientras se trabaja.
- ▶ Evite que la piel entre en contacto con el lodo de perforación.
- ▶ Utilice guantes de protección para cambiar el útil. La herramienta puede calentarse por el uso.
- ▶ Es conveniente advertir a los niños de que no deben jugar con la herramienta.
- ▶ La herramienta no es apta para el uso por parte de niños o de personas físicamente no preparadas que no tengan la debida instrucción.
- ▶ El polvo procedente de materiales como pinturas con plomo, determinadas maderas, minerales y metal puede ser nocivo para la salud. El contacto con el polvo o su inhalación puede provocar reacciones alérgicas o asfixia al usuario o a personas que se encuentren en su entorno. Existen determinadas clases de polvo, como pueden ser el de roble o el de haya, catalogadas como cancerígenas, especialmente si se encuentra mezclado con aditivos usados en el tratamiento de la madera (cromato, agente protector para la madera). Únicamente expertos cualificados están autorizados a manipular materiales que contengan asbesto. Utilice siempre que sea posible un sistema de aspiración de polvo. Para obtener un elevado grado de efectividad en la aspiración de polvo, utilice un aspirador de polvo apto para madera y polvo mineral recomendado por Hilti y compatible con esta herramienta eléctrica. Procure una buena ventilación del lugar de trabajo. Se recomienda utilizar una mascarilla de protección con filtro de la clase P2. Respete la normativa vigente en su país concerniente al procesamiento de los materiales de trabajo.
- ▶ El usuario y las personas que se encuentren en las inmediaciones de la zona de uso de la herramienta deberán llevar gafas protectoras adecuadas, casco de protección, protección para los oídos, guantes de protección, zapatos de protección y una mascarilla ligera.

Manipulación y utilización segura de las herramientas eléctricas

- ▶ Asegure la pieza de trabajo. Utilice dispositivos de sujeción o un tornillo de banco para sujetar la pieza de trabajo. De esta forma estará sujeta de modo más seguro que con la mano y, por otro lado, se podrán mantener libres ambas manos para el manejo de la herramienta.
- ▶ Compruebe si los útiles disponen del sistema de inserción adecuado para la herramienta y si están enclavados en el portátiles conforme a las prescripciones.
- ▶ En caso de interrupción de la corriente, desconecte la herramienta y extraiga el enchufe de red. Esto evita la puesta en servicio involuntaria de la herramienta en caso de que vuelva la corriente.
- ▶ No utilice herramientas dañadas. Antes de utilizar la herramienta, compruebe si hay indicios de desprendimiento, agrietamiento, desgaste o de deterioro grave. No utilice herramientas defectuosas. Los fragmentos que pueden desprenderse de la pieza de trabajo o las herramientas rotas pueden salir despedidos y provocar lesiones incluso fuera de la zona de trabajo.
- ▶ El producto tiene un par de giro elevado acorde con las aplicaciones. Utilice la empuñadura lateral y sujete siempre el producto con ambas manos. El usuario debe estar preparado para cualquier bloqueo inesperado de la herramienta y tener los pies en una posición estable.

Seguridad eléctrica

- ▶ Compruebe antes de empezar a trabajar si la zona de trabajo oculta cables eléctricos, tuberías de gas o cañerías de agua, por ejemplo, con un detector de metales. Las partes metálicas exteriores de la herramienta pueden pasar a conducir electricidad si, por ejemplo, se ha dañado por error un cable eléctrico. Dichas partes suponen un peligro serio por el riesgo de una descarga eléctrica.
- ▶ No utilice jamás la herramienta sin el PRCD suministrado (para versión GB, nunca sin transformador de separación). Compruebe el PRCD antes de su uso.
- ▶ Compruebe con regularidad el cable de conexión de la herramienta y, en caso de que presentara daños, encargue su sustitución a un profesional experto en la materia. Si el cable de conexión de la herramienta eléctrica está dañado, debe reemplazarse por un cable especial homologado que encontrará en nuestro Servicio Posventa. Inspeccione regularmente los alargadores y sustitúyalos en caso de que estuvieran dañados. Si se daña el cable de red o el alargador durante el trabajo, evite tocar el cable. Extraiga el enchufe de red de la toma de corriente. Los cables de conexión y los alargadores dañados suponen un peligro, pues pueden ocasionar una descarga eléctrica.
- ▶ Protéjase contra descargas eléctricas. Evite el contacto con piezas con puesta a tierra como tuberías, radiadores, hornos y frigoríficos.
- ▶ No utilice un conector adaptador para anular la puesta a tierra.
- ▶ No deje que el agua se acerque a los componentes eléctricos de la herramienta eléctrica ni a las personas que se encuentren en el área de trabajo.

Lugar de trabajo

- ▶ Procure una buena ventilación del lugar de trabajo. Los lugares de trabajo mal ventilados pueden resultar nocivos para la salud debido a la carga de polvo.
- ▶ Conecte el sistema de aspiración de polvo al realizar trabajos que generen polvo. No deben perforarse materiales nocivos para la salud (p. ej., amianto).
- ▶ Encargue la autorización de los trabajos de perforación a la dirección de la obra. Las perforaciones en edificios y otras estructuras pueden influir en la estática, especialmente al seccionar hierros de armadura o elementos portadores.
- ▶ Se recomienda el uso de guantes de goma y calzado antideslizante para los trabajos al aire libre.
- ▶ Al realizar trabajos de perforación en paredes, asegure la zona trasera de la pared, ya que el material o el testigo pueden desprenderse por detrás. Al realizar trabajos de perforación en techos, asegure la zona inferior, ya que el material o el testigo pueden desprenderse por abajo.

Descripción

Vista general del producto

- ① Empuñadura lateral
- ② Interruptor del cambio
- ③ Engranajes

- ④ Motor
- ⑤ Cubierta de las escobillas de carbón
- ⑥ Indicador de funcionamiento



- ⑦ Interruptor de conexión y desconexión
- ⑧ Empuñadura
- ⑨ Cable de red, incl. PRCD

- ⑩ Portaútiles
- ⑪ Indicador de protección antirrobo (opcional)
- ⑫ Cabezal de lavado

Uso conforme a las prescripciones

La DD 110-W es una perforadora de diamante eléctrica destinada al taladrado en seco con guiado manual en mampostería y para el taladrado en húmedo con guiado manual en hormigón y en superficies de trabajo minerales. El taladrado hacia arriba en mojado está estrictamente prohibido. No se permite taladrar materiales que generen polvo conductor de corriente (p. ej., magnesio). Utilice siempre que sea posible un extractor de polvo móvil adecuado para cada aplicación.

A fin de evitar lesiones, utilice exclusivamente coronas de perforación originales de Hilti y accesorios DD 110-W.

Siga también las instrucciones de seguridad y manejo del accesorio utilizado. Siga las indicaciones sobre el funcionamiento, cuidado y mantenimiento contenidas en el manual de instrucciones.

Esta herramienta ha sido diseñada para el usuario profesional y solo debe ser manejada, conservada y reparada por personal autorizado y formado adecuadamente. Este personal debe estar especialmente instruido en lo referente a los riesgos de uso. La herramienta y sus dispositivos auxiliares pueden conllevar riesgos para el usuario en caso de manejarse de forma inadecuada por personal no cualificado o de utilizarse para usos diferentes a los que están destinados. El entorno de trabajo puede ser: obras, talleres, restauraciones, reformas y obras nuevas.

Solo debe funcionar con la frecuencia y tensión de alimentación especificadas en la placa de identificación.

No deben tratarse materiales nocivos para la salud (p. ej., amianto).

No está permitido efectuar manipulaciones o modificaciones en la herramienta.

Suministro

Herramienta con empuñadura lateral y el portaútiles, manual de instrucciones

Encontrará otros productos del sistema autorizados para su producto en su **Hilti Store** o en Internet, en: www.hilti.group

Protección antirrobo TPS (opcional)

Su producto puede estar equipado opcionalmente con la función de protección antirrobo TPS. A continuación, sólo se podrá activar y manejar con la correspondiente llave.

Datos técnicos

La tensión nominal, la intensidad nominal, la frecuencia y/o la potencia nominal figuran en la placa de potencia específica del país.

Si se utiliza con un generador o transformador, la potencia útil debe ser al menos el doble que la potencia nominal indicada en la placa de potencia del producto. La tensión de servicio del transformador o del generador debe encontrarse en todo momento entre un +5 % y un -15 % de la tensión de referencia de la herramienta.

Generación de productos		01
Peso según el procedimiento EPTA 01/2003		5,7 kg
Peso		5,7 kg (12,6 lb)
Velocidad	1.ª velocidad	740 rpm
	2.ª velocidad	1.580 rpm
Dimensiones (longitud x anchura x altura)		457 mm x 120 mm x 170 mm (18,0 in x 4,7 in x 6,7 in)
Clase de protección		I
Presión admisible de la tubería de agua		≤ 6 bar
Temperatura ambiente en funcionamiento		-17 °C ... 60 °C (1 °F ... 140 °F)
Temperatura de almacenamiento		-20 °C ... 70 °C (-4 °F ... 158 °F)

Diámetro de la corona de perforación

	1.ª velocidad	2.ª velocidad
Ø Coronas de perforación PCM en seco	42 mm ... 162 mm (1,7 in ... 6,4 in)	/
Ø Coronas de perforación HDM en seco	102 mm ... 162 mm (4,0 in ... 6,4 in)	16 mm ... 87 mm (0,6 in ... 3,4 in)
Ø HWC coronas de perforación en húmedo	122 mm ... 132 mm (4,8 in ... 5,2 in)	25 mm ... 112 mm (1,0 in ... 4,4 in)



Uso de alargadores

ADVERTENCIA

Peligro por los cables dañados. Si se daña el cable de red o el alargador durante el trabajo, evitar tocar el cable. Extraer el enchufe de red de la toma de corriente.

- ▶ Compruebe con regularidad el cable de conexión de la herramienta y, en caso de que presentara daños, encargue su sustitución a un profesional experto en la materia.
- Utilice solo alargadores autorizados con sección de cable suficiente para el campo de aplicación. De lo contrario, puede generarse una pérdida de potencia de la herramienta y un sobrecalentamiento del cable.
- Compruebe regularmente que el alargador no haya sufrido daños.
- Sustituir los alargadores dañados.
- Al trabajar al aire libre, utilice únicamente alargadores autorizados que estén correspondientemente identificados.

Al final de esta documentación encontrará, en forma de código QR, las secciones mínimas recomendadas y las longitudes máximas del cable.

Preparación del trabajo

PRECAUCIÓN

Riesgo de lesiones. Arranque involuntario del producto.

- ▶ Extraiga el enchufe de red antes de realizar ajustes en la herramienta o de cambiar accesorios.

Respete las indicaciones de seguridad y las advertencias presentes en esta documentación y en el producto.

Ajuste de la empuñadura lateral

1. Afloje la empuñadura lateral; para ello, gire el tornillo de fijación en sentido contrario a las agujas del reloj.
2. Coloque la empuñadura lateral.
3. Fije la empuñadura lateral; para ello, gírela en el sentido de las agujas del reloj.
4. Asegúrese de que la empuñadura lateral esté bien apretada.

Montaje de la corona perforadora de diamante con portátiles BI+

PRECAUCIÓN

Riesgo de lesiones al realizar un cambio de útil. El útil se calienta debido al uso. Puede presentar bordes afilados.

- ▶ Utilice siempre guantes de protección para cambiar el útil.

Las coronas perforadoras de diamante deben sustituirse cuando su capacidad de corte o de avance de perforación disminuyan notablemente. En general, esto es necesario cuando los segmentos de diamante están desgastados a una altura concreta (<2 mm). Los portátiles BR, BT, M16, M27 se accionan con una llave de boca adecuada. El portátil, el adaptador y la herramienta deben estar limpios.

1. Abra el portátil girando en la dirección del símbolo .
2. Inserte la corona perforadora de diamante desde arriba en el dentado del portátil, en la perforadora de diamante, y gírela hasta que quede encajada.
3. Cierre el portátil girando en la dirección del símbolo .
4. Compruebe que la corona perforadora de diamante esté firmemente asentada en el portátil.

Desmontaje de la corona perforadora de diamante con portátiles BI+

PRECAUCIÓN

Riesgo de lesiones al realizar un cambio de útil. El útil se calienta debido al uso. Puede presentar bordes afilados.

- ▶ Utilice siempre guantes de protección para cambiar el útil.

Para los portátiles BR, BT, M27, M16, fije el portátil y, a continuación, retire la corona de perforación con una llave de boca adecuada.

1. Abra el portátil girando en la dirección del símbolo .
2. Tire del casquillo de accionamiento del portátil en el sentido de la flecha con respecto a la herramienta. De este modo se desbloquea la corona de perforación.
3. Retire la corona perforadora de diamante.

Montaje de los avellanadores cilíndricos con sistema de aspiración de polvo

1. Desplace la guía de centrado con la punta hacia delante hasta el tope de la conexión para avellanadores con aspiración de polvo.
2. Monte la conexión en el portátil conforme al montaje de las coronas perforadoras de diamante.
3. Desplace el anillo de bloqueo y el sistema de aspiración de polvo en dirección a la perforadora de diamante.
4. Monte el avellanador en la conexión.
5. Desplace la aspiración de polvo en dirección a la herramienta hasta que se ajuste a la corona de perforación y fije esta posición; para ello desplace el anillo de bloqueo en dirección al avellanador.
6. Compruebe que el sistema de aspiración de polvo puede girar libremente hacia la perforadora de diamante.



Selección de la velocidad

PRECAUCIÓN

Riesgo de daños! Daños en el producto.

- ▶ No conectar en funcionamiento. Espere a que el producto se haya parado por completo.

Seleccione la posición del interruptor en función del diámetro de taladrado aplicado.

- ▶ Gire el interruptor girando simultáneamente a mano la corona de perforación hasta alcanzar la posición recomendada.

Instalación de la toma de agua

ATENCIÓN

Peligro por un uso indebido. La manguera puede quedar inservible si se utiliza indebidamente.

- ▶ Compruebe periódicamente la presencia de daños en la manguera y asegúrese de que no se supere la presión máxima admisible de los conductos de agua (véase Datos técnicos 28).
- ▶ Cerciórese de que el tubo flexible no entre en contacto con piezas móviles.
- ▶ Cerciórese de que el tubo flexible no resulte dañado con el avance del carro.
- ▶ Respete la especificación de la temperatura máxima del agua que se indica en el capítulo Datos técnicos 28.
- ▶ Compruebe que el sistema de agua acoplado sea estanco.

Utilice únicamente agua corriente o agua sin partículas de suciedad para evitar daños en los componentes.

1. Cierre la regulación de agua en la perforadora de diamante.
2. Establezca la unión para la entrada de agua (acoplamiento del tubo flexible).

Manejo

ADVERTENCIA

Peligro por cables dañados. Si durante el trabajo se daña el cable de red o el alargador, desenchufe inmediatamente la herramienta y el cable de la red. Evite tocar el punto donde se haya producido el daño.

- ▶ Compruebe regularmente todos los cables de conexión. Sustituya los alargadores defectuosos. Encargue a un profesional experto en la materia la sustitución de los cables de red dañados.

Se recomienda el uso de un interruptor de corriente de defecto (RCD) con una corriente de desconexión máxima de 30 mA.

Protección antirrobo TPS (opcional)

Su producto puede estar equipado opcionalmente con la función de protección antirrobo TPS. Si su producto cuenta con esta función, esta solo puede desbloquearse y funcionar con la llave de activación correspondiente.

Activación del producto

- ▶ Asegúrese de que el producto está conectado a la tensión de alimentación. La luz de la protección antirrobo se enciende. El producto está listo para recibir la señal de la llave de activación.
- ▶ Coloque la llave de activación o la hebilla del TPS directamente en el símbolo del cerrojo. En cuanto se apague el diodo amarillo de la protección antirrobo, el producto estará activado.

Si se interrumpe la entrada de corriente, p. ej., al cambiar de lugar de trabajo o al producirse un corte de electricidad, la operatividad del producto se mantiene durante aprox. 20 minutos. Si la interrupción fuera más larga, vuelva a desactivar la protección antirrobo con la llave de activación.

Para obtener más información acerca de la activación y el uso de la protección antirrobo, consulte el capítulo «Protección antirrobo TPS» del manual de instrucciones.

Uso de la guía de centrado de dos piezas

PRECAUCIÓN

Riesgo de lesiones si no se usa correctamente. Las piezas de la guía de centrado pueden desprenderse si no están firmemente fijadas a la superficie.

- ▶ Si utiliza una guía de centrado, no accione la perforadora de diamante en marcha en vacío sin haber entrado en contacto con la superficie de taladrado.

Para cada diámetro de las coronas perforadoras de diamante se necesita una guía de centrado diferente.

1. Coloque la guía de centrado desde delante en la corona perforadora de diamante.
2. Presione solo ligeramente al empezar a perforar hasta que la corona de perforación se haya centrado. Solo después puede aumentar la presión ejercida. Haga un orificio inicial de 1/8"-3/16" de profundidad.
3. Sostenga el producto soltando el interruptor de conexión y desconexión. Espere hasta que la corona de perforación se haya detenido completamente.
4. Retire la guía de centrado de la corona de perforación.
5. Coloque la corona de perforación en el orificio inicial, presione el interruptor de conexión y desconexión y siga taladrando.



Manejo del interruptor de corriente de defecto PRCD

ADVERTENCIA

Riesgo de lesiones por una descarga eléctrica. Si el indicador del interruptor de corriente de defecto no se suelta al pulsar el botón **0** o **TEST**, no se puede seguir utilizando la perforadora de diamante.

► Encargue la reparación de la perforadora de diamante al Servicio Técnico de **Hilti**.

1. Conecte el enchufe de red de la perforadora de diamante en una toma de corriente con conexión de puesta a tierra.
2. Presione el botón **I** o **RESET** del interruptor de corriente de defecto PRCD.
 - El indicador se enciende.
3. Presione el botón **0** o **TEST** del interruptor de corriente de defecto PRCD.
 - El indicador se apaga.
4. Presione el botón **I** o **RESET** del interruptor de corriente de defecto PRCD.
 - El indicador se enciende.

Taladrado en seco con aspiración

Una concentración elevada de polvo en la corona de perforación puede provocar un desequilibrio. Al trabajar, mantenga siempre la manguera de aspiración alejada y por detrás de la perforadora de diamante para evitar que entre en contacto con la corona de perforación.

► Para evitar efectos electrostáticos utilice un aspirador antiestático.

Taladrado en seco con aspirador de polvo mediante toma de corriente integrada para herramientas eléctricas

Utilice las coronas de perforación ranuradas solo cuando trabaje sin aspiración de polvo.

1. Ajuste la empuñadura lateral en la posición deseada y fíjela.
2. Opcional: Monte y utilice la guía de centrado de dos piezas. 30
3. Inserte el enchufe de red de la perforadora de diamante en la toma de corriente del aspirador.
4. Inserte el enchufe de red del aspirador en la toma de corriente.
5. Una vez conectado: presione el interruptor **Reset** o la tecla **I** del PRCD.
6. Coloque la perforadora de diamante en el centro del taladro.
7. Presione el interruptor de conexión y desconexión de la perforadora de diamante.

El aspirador arranca más tarde que la herramienta eléctrica. Tras desconectar la herramienta eléctrica, el aspirador se desconecta más tarde.

Taladrado en seco con aspirador de polvo sin toma de corriente para herramientas eléctricas

Utilice las coronas de perforación ranuradas solo cuando trabaje sin aspiración de polvo.

1. Ajuste la empuñadura lateral en la posición deseada y fíjela.
2. Opcional: Monte y utilice la guía de centrado de dos piezas. 30
3. Inserte el enchufe de red del aspirador de polvo en la toma de corriente y ponga en marcha el aspirador.
4. Inserte el enchufe de red de la perforadora de diamante en la toma de corriente y presione la tecla **Reset** o la tecla **I** del PRCD.
5. Coloque la perforadora de diamante en el centro del taladro.
6. Presione el interruptor de conexión y desconexión de la perforadora de diamante.
7. Deje que el aspirador de polvo siga funcionando unos segundos más que la perforadora de diamante, de forma que aspire por completo el material restante.

Taladrado en seco sin aspiración

Utilice las coronas de perforación ranuradas cuando taladre en seco sin aspiración de polvo. Utilice una mascarilla adecuada.

No taladre hacia arriba cuando trabaje sin aspiración de polvo.

Retire la aspiración de polvo o fíjela para que no rote.

1. Ajuste la empuñadura lateral en la posición deseada y fíjela.
2. Opcional: Monte y utilice la guía de centrado de dos piezas. 30
3. Inserte el enchufe de red en la toma de corriente y presione el interruptor **Reset** o la tecla **I** del PRCD.
4. Coloque la perforadora de diamante en el centro del taladro.
5. Presione el interruptor de conexión y desconexión de la perforadora de diamante.

Taladrado en mojado

ADVERTENCIA


Peligro de descarga eléctrica. Si la aspiración no funciona correctamente, puede haber agua sobre el motor y la cubierta.

► Interrumpa inmediatamente el trabajo si la aspiración no funciona.





Para las perforaciones hacia arriba es obligatorio utilizar un aspirador en húmedo en combinación con un sistema colector de agua.

1. Ajuste la empuñadura lateral en la posición deseada y fíjela.
2. Opcional: Monte y utilice la guía de centrado de dos piezas.  30
3. Coloque la perforadora de diamante en el centro del taladro.
4. Abra lentamente la regulación de agua hasta que fluya el volumen de agua deseado.
5. Presione el interruptor de conexión y desconexión de la perforadora de diamante.
6. Presione solo ligeramente al empezar a perforar hasta que la corona de perforación se haya centrado. Solo después puede aumentar la presión ejercida.

Extracción de la corona perforadora mediante llave de boca



Si se atasca la corona perforadora, se activa el acoplamiento deslizando hasta que el usuario desconecta la herramienta.

1. Extraiga el enchufe de red de la toma de corriente.
2. Sujete la corona perforadora de diamante por la zona próxima al extremo de inserción con una llave de boca adecuada y suelte la corona girando la llave.
3. Inserte el enchufe de red en la toma de corriente.
4. Continúe con el proceso de perforación.

Desconexión



La corona de perforación está llena de polvo/agua y material de perforación. Tenga en cuenta el peso adicional en la corona de perforación y procure que la postura sea estable antes de extraer la corona de perforación del taladro.

1. Extraiga la corona perforadora de diamante del taladro.
2. Desconecte la perforadora de diamante.
3. Cierre la regulación de agua en caso necesario.

Cuidado y mantenimiento



ADVERTENCIA

Peligro de descarga eléctrica. La realización de tareas de cuidado y mantenimiento con el enchufe conectado a la toma de corriente de puede provocar lesiones y quemaduras graves.

- ▶ Extraiga siempre el enchufe de la toma de corriente antes de realizar cualquier tarea de cuidado y mantenimiento.

Cuidado

- Retire con cuidado la suciedad fuertemente adherida.
- Limpie cuidadosamente las rejillas de ventilación con un cepillo seco.
- Limpie la carcasa utilizando únicamente un paño ligeramente humedecido. No utilice limpiadores que contengan silicona, ya que podría afectar a las piezas de plástico.

Mantenimiento



ADVERTENCIA

Riesgo de descarga eléctrica. Las reparaciones indebidas en componentes eléctricos pueden producir lesiones graves y quemaduras.

- ▶ Las reparaciones de la parte eléctrica sólo puede llevarlas a cabo un técnico electricista cualificado.
- Compruebe con regularidad si las piezas visibles están dañadas o si los elementos de manejo funcionan correctamente.
- No utilice el producto si presenta daños o fallos que afecten al funcionamiento. Llévela de inmediato al Servicio Técnico de Hilti para que la reparen.
- Coloque todos los dispositivos de protección después de las tareas de cuidado y mantenimiento y compruebe su correcto funcionamiento.



Para garantizar un correcto funcionamiento, utilice exclusivamente piezas de repuesto y material de consumo originales. Puede encontrar piezas de repuesto, consumibles y accesorios para su producto que nosotros mismos comercializamos en **Hilti Store** o en: www.hilti.group.

Sustitución de las escobillas de carbón



ADVERTENCIA

Riesgo de lesiones por una descarga eléctrica !

- ▶ Las operaciones de manejo, mantenimiento y reparación de la herramienta correrán a cargo exclusivamente de personal debidamente cualificado. Este personal debe estar especialmente instruido en lo referente a los riesgos de uso.

1. Abra las cubiertas de las escobillas de carbón a la izquierda y a la derecha del motor.
2. **Asegúrese de que las escobillas de carbón y las trencillas quedan bien montadas.** Extraiga de la perforadora de diamante las escobillas de carbón usadas.
3. Coloque las nuevas escobillas de carbón tal y como estaban colocadas las antiguas.



Al montarlas, cerciórese de que no dañe el aislante de las trencillas de señalización.



4. Atornille las cubiertas de las escobillas de carbón a la izquierda y a la derecha del motor.
5. Deje que las escobillas de carbón funcionen en marcha en vacío al menos un minuto de forma ininterrumpida.



Una vez efectuado el cambio de las escobillas de carbón, el indicador luminoso se apaga transcurrido aprox. 1 min de funcionamiento.

Transporte y almacenamiento

Transporte

- ▶ No transporte este producto con el útil insertado.
- ▶ Asegúrese de que durante el transporte esté bien sujeto.
- ▶ Compruebe tras cada transporte si las piezas visibles están dañadas o si los elementos de manejo funcionan correctamente.


Almacenamiento

- ▶ Almacene este producto siempre con los enchufes desconectados.
- ▶ Guarde este producto en un lugar seco y fuera del alcance de niños y personas no autorizadas.
- ▶ Abra la regulación de agua antes de almacenar el producto.
- ▶ Si las temperaturas bajan del punto de congelación, asegúrese de que no quede agua en el producto.
- ▶ Cuando lleve mucho tiempo almacenado, compruebe si las piezas visibles están dañadas y si los elementos de manejo funcionan correctamente.

Ayuda en caso de averías

Si se producen averías que no estén incluidas en esta tabla o que no pueda solucionar usted, diríjase al Servicio Técnico de **Hilti**.






la perforadora de diamante está lista para funcionar

Anomalía	Posible causa	Solución
 El indicador de funcionamiento se ilumina.	El límite de desgaste de las escobillas de carbón está a punto de alcanzarse. La perforadora de diamante seguirá funcionando unas horas antes de desconectarse de forma automática.	▶ Cambie las escobillas de carbón cuando se presente la próxima oportunidad.
La perforadora de diamante no funciona con la potencia óptima.	Avería en la red: se ha producido una bajada de tensión en la red eléctrica.	▶ Compruebe si hay otros consumidores que estén perturbando el funcionamiento de la red o el generador. ▶ Compruebe la longitud del alargador empleado.
La corona perforadora de diamante no gira.	Interruptor del cambio no enclavado.	▶ Presione el interruptor del cambio hasta que quede enclavado.
	La corona perforadora de diamante se ha atascado en la superficie de trabajo.	▶ Empuje la perforadora de diamante en línea recta. ▶ Extracción de la corona perforadora de diamante con la llave de boca: Extraiga el enchufe de red de la toma de corriente. Sujete la corona perforadora de diamante por la zona próxima al extremo de inserción con una llave de boca adecuada y suelte la corona girando la llave.
La velocidad de perforación disminuye.	Profundidad máxima de perforación alcanzada.	▶ Retire el testigo y utilice el alargador de la corona de perforación.
	El testigo se atasca en la corona perforadora de diamante.	▶ Retire el testigo.
	Especificación incorrecta para la superficie de trabajo.	▶ Seleccione una especificación correcta para la corona perforadora de diamante.
	Proporción de acero elevada (se detecta porque en el agua se aprecian virutas de metal).	▶ Seleccione una especificación correcta para la corona perforadora de diamante.
	La corona perforadora de diamante está defectuosa.	▶ Compruebe la presencia de daños en la corona perforadora de diamante y sustitúyala en caso necesario.
	Se ha seleccionado la velocidad incorrecta.	▶ Seleccione la velocidad correcta.
	Fuerza de apriete demasiado baja.	▶ Aumente la fuerza de apriete.
	Potencia de la herramienta demasiado baja.	▶ Seleccione la siguiente marcha más baja.
	Corona perforadora de diamante pulida.	▶ Afile la corona perforadora de diamante en la placa de afilado.
Volumen de agua demasiado elevado.	▶ Reduzca el volumen de agua con el mecanismo de regulación de agua.	



Anomalía	Posible causa	Solución
La velocidad de perforación disminuye.	Volumen de agua insuficiente.	► Compruebe la entrada de agua a la corona perforadora de diamante o aumente el volumen de agua con el mecanismo de regulación de agua.
	El polvo impide que se pueda seguir perforando.	► Utilice un sistema de aspiración de polvo adecuado.
No es posible colocar la corona perforadora de diamante en el portaútiles.	Extremo de inserción/portaútiles sucio o dañado.	► Limpie el extremo de inserción o el portaútiles y engráselos o sustitúyalos en caso necesario.
Sale agua del cabezal de lavado o de la carcasa de los engranajes.	Presión del agua demasiado alta.	► Reduzca la presión del agua.
Sale agua del portaútiles durante el funcionamiento.	La corona perforadora de diamante no está correctamente atornillada al portaútiles.	► Fije con más fuerza la corona perforadora de diamante. ► Retire la corona perforadora de diamante. Gire la corona perforadora de diamante aproximadamente 90° sobre el eje de la corona. Vuelva a colocar la corona perforadora de diamante.
	Extremo de inserción/portaútiles sucio.	► Limpie y engrase el extremo de inserción o el portaútiles.
	Junta del portaútiles o del extremo de inserción defectuosa.	► Compruebe la junta y sustitúyala en caso necesario.
El sistema de perforación tiene demasiado juego.	La corona perforadora de diamante no está correctamente atornillada al portaútiles.	► Fije con más fuerza la corona perforadora de diamante. ► Retire la corona perforadora de diamante. Gire la corona perforadora de diamante aproximadamente 90° sobre el eje de la corona. Vuelva a colocar la corona perforadora de diamante.
	Extremo de inserción/portaútiles defectuoso.	► Compruebe el extremo de inserción y el portaútiles y sustitúyalos en caso necesario.

la perforadora de diamante no está lista para funcionar

Anomalía	Posible causa	Solución
 El indicador de funcionamiento no muestra nada.	PRCD sin encender.	► Compruebe si funciona el PRCD y conéctelo.
	Alimentación de tensión interrumpida.	► Conecte otra herramienta eléctrica y compruebe si funciona. ► Compruebe los conectores, el cable de red, el cable eléctrico y el fusible de la red.
	Hay agua en el motor.	► Deje la perforadora de diamante en un lugar caliente y seco para que se seque por completo.
 El indicador de funcionamiento se ilumina.	Escobillas de carbón desgastadas.	► Sustituya las escobillas de carbón.  32
 El indicador de funcionamiento parpadea.	Error de número de revoluciones.	► Desconecte la perforadora de diamante de la red eléctrica y conéctela de nuevo.
 El indicador de protección antirrobo parpadea.	Perforadora de diamante no desbloqueada (en caso de perforadoras de diamante con protección antirrobo, opcional).	► Desbloquee la perforadora de diamante con la llave de activación.



Reciclaje

Las herramientas Hilti están fabricadas en su mayor parte con materiales reutilizables. La condición para dicha reutilización es una separación adecuada de los materiales. En muchos países, Hilti recoge las herramientas usadas para su recuperación. Pregunte en el Servicio de Atención al Cliente de Hilti o a su asesor de ventas.



- ▶ No deseche las herramientas eléctricas, los aparatos eléctricos ni las baterías junto con los residuos domésticos.

Garantía del fabricante

- ▶ Si tiene alguna consulta acerca de las condiciones de la garantía, póngase en contacto con su sucursal local de Hilti.

Más información

Encontrará información adicional sobre manejo, técnica, medio ambiente y reciclaje en el siguiente enlace: qr.hilti.com/manual/?id=351007
Encontrará este enlace también al final de la documentación como código QR.

pt Manual de instruções original

Indicações sobre o Manual de instruções

Relativamente a este Manual de instruções

- **Aviso!** Antes de utilizar o produto, certifique-se de que leu e compreendeu o Manual de instruções fornecido com o produto incluindo as instruções, instruções de segurança e advertências, figuras e especificações. Familiarize-se sobretudo com todas as instruções, instruções de segurança e advertências, figuras, especificações, bem como com componentes e funções. Em caso de incumprimento existe perigo de choque eléctrico, incêndio e/ou ferimentos graves. Guarde o Manual de instruções incluindo todas as instruções, instruções de segurança e advertências para utilização posterior.
- Os produtos destinam-se ao utilizador profissional e só podem ser operados, mantidos e reparados por pessoal autorizado, devidamente qualificado. Estas pessoas deverão estar informadas em particular sobre os potenciais perigos. O produto e seu equipamento auxiliar podem representar perigo se usados incorrectamente por pessoas não qualificadas ou se usados para fins diferentes daqueles para os quais foram concebidos.
- O Manual de instruções fornecido corresponde ao actual avanço tecnológico no momento da impressão. Encontra a versão actual sempre online, na página de produtos Hilti. Para o efeito, siga a hiperligação ou o código QR neste Manual de instruções, identificado com o símbolo .
- Entregue o produto a outras pessoas apenas juntamente com o Manual de instruções.

Explicação dos símbolos

Advertências

As advertências alertam para perigos durante a utilização do produto. São utilizadas as seguintes palavras de aviso:



PERIGO

PERIGO !

- ▶ Indica perigo iminente que pode originar acidentes pessoais graves ou até mesmo fatais.



AVISO

AVISO !

- ▶ Indica um possível perigo que pode causar graves ferimentos pessoais, até mesmo fatais.



CUIDADO

CUIDADO !

- ▶ Indica uma situação potencialmente perigosa que pode originar ferimentos corporais ou danos materiais.

Símbolos no manual de instruções

Neste manual de instruções são utilizados os seguintes símbolos:

	Consultar o manual de instruções
	Instruções de utilização e outras informações úteis
	Manuseamento com materiais recicláveis
	Não deitar as ferramentas eléctricas e baterias no lixo doméstico

Símbolos nas figuras

Em figuras são utilizados os seguintes símbolos:

2	Estes números remetem para a figura respectiva no início do presente manual de instruções.
3	A numeração reproduz uma sequência dos passos de trabalho na imagem e pode divergir dos passos de trabalho no texto.
11	Na figura Vista geral são utilizados números de posição que fazem referência aos números da legenda na secção Vista geral do produto .





Este símbolo pretende despertar a sua atenção durante o manuseamento do produto.

Símbolos dependentes do produto

Sinais de aviso

Podem ser utilizados os seguintes sinais de aviso:



Perigo geral



Perigo: eletricidade



Perigo: Superfície quente

Sinais de obrigação

Podem ser utilizados os seguintes sinais de obrigação:



Use óculos de proteção



Use capacete de proteção



Use proteção auricular



Use luvas de proteção



Use calçado de segurança



Use máscara antipoeiras

Símbolos no produto

No produto, podem usar-se os seguintes símbolos:



Bloqueado



Equipado com sistema de proteção antirroubo



Indicador de manutenção



Rotações por minuto



Rotações por minuto



O produto suporta a tecnologia NFC que é compatível com plataformas iOS e Android.



Se existente no produto, isso significa que o produto foi certificado por este organismo de certificação para o mercado americano e canadiano de acordo com as normas em vigor.

Autocolante no produto

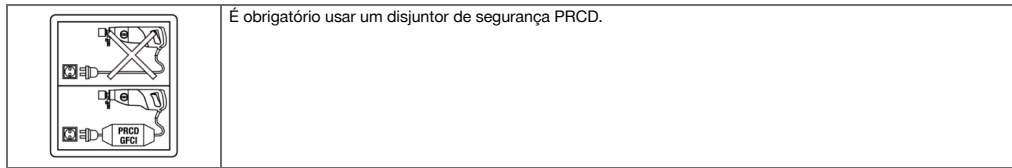
Perfurações acima da cabeça



São proibidas perfurações a húmido acima da cabeça.



Disjuntor diferencial (PRCD)



Segurança

Normas de segurança gerais para ferramentas eléctricas

⚠ AVISO Leia todas as normas de segurança, instruções, imagens e dados técnicos, com os quais esta ferramenta eléctrica está equipada. O não cumprimento das instruções a seguir pode resultar em choque eléctrico, incêndio e/ou ferimentos graves.

Guarde bem todas as normas de segurança e instruções para futura referência.

O termo “ferramenta eléctrica” utilizado nas normas de segurança refere-se a ferramentas com ligação à corrente eléctrica (com cabo de alimentação) ou a ferramentas a bateria (sem cabo).

Segurança no posto de trabalho

- ▶ **Mantenha a sua área de trabalho limpa e bem iluminada.** Locais desarrumados ou mal iluminados podem ocasionar acidentes.
- ▶ **Não utilize a ferramenta eléctrica em ambientes explosivos ou na proximidade de líquidos ou gases inflamáveis.** Ferramentas eléctricas produzem faíscas que podem provocar a ignição de pó e vapores.
- ▶ **Mantenha crianças e terceiros afastados durante os trabalhos.** Distrações podem conduzir à perda de controlo sobre a ferramenta.

Segurança eléctrica

- ▶ **A ficha da ferramenta eléctrica deve servir na tomada. A ficha não deve ser modificada de modo algum. Não utilize quaisquer adaptadores com ferramentas eléctricas com ligação terra.** Fichas originais (não modificadas) e tomadas adequadas reduzem o risco de choque eléctrico.
- ▶ **Evite o contacto do corpo com superfícies ligadas à terra, como, por exemplo, canos, radiadores, fogões e frigoríficos.** Existe um risco elevado de choque eléctrico se o corpo estiver com ligação à terra.
- ▶ **As ferramentas eléctricas não devem ser expostas à chuva nem à humidade.** A infiltração de água numa ferramenta eléctrica aumenta o risco de choque eléctrico.
- ▶ **Não use o cabo de ligação para transportar, pendurar ou desligar a ferramenta eléctrica da tomada. Mantenha o cabo de ligação afastado de calor, óleo, arestas vivas ou partes em movimento.** Cabos de ligação danificados ou emaranhados aumentam o risco de choque eléctrico.
- ▶ **Quando operar uma ferramenta eléctrica ao ar livre, utilize apenas cabos de extensão próprios para utilização no exterior.** A utilização de um cabo de extensão próprio para utilização no exterior reduz o risco de choques eléctricos.
- ▶ **Utilize um disjuntor diferencial se não puder ser evitada a utilização da ferramenta eléctrica em ambiente húmido.** A utilização de um disjuntor diferencial reduz o risco de choque eléctrico.

Segurança física

- ▶ **Esteja alerta, observe o que está a fazer, e tenha prudência ao trabalhar com uma ferramenta eléctrica. Se estiver cansado ou sob influência de drogas, álcool ou medicamentos não efectue nenhum trabalho com ferramentas eléctricas.** Um momento de distração ao operar a ferramenta eléctrica pode causar ferimentos graves.
- ▶ **Use equipamento de segurança. Use sempre óculos de protecção.** Equipamento de segurança, como, por exemplo, máscara antipoeiras, sapatos de segurança antiderrapantes, capacete de segurança ou protecção auricular, de acordo com o tipo e aplicação da ferramenta eléctrica, reduzem o risco de lesões.
- ▶ **Evite um arranque involuntário. Assegure-se de que a ferramenta eléctrica está desligada antes de a ligar à fonte de alimentação e/ou à bateria, pegar nela ou a transportar.** Transportar a ferramenta eléctrica com o dedo no interruptor ou ligar uma ferramenta à tomada com o interruptor ligado (ON) pode resultar em acidentes.
- ▶ **Remova quaisquer chaves de ajuste (chaves de fenda), antes de ligar a ferramenta eléctrica.** Um acessório ou chave deixado preso numa parte rotativa da ferramenta pode causar ferimentos.
- ▶ **Evite posturas corporais desfavoráveis. Mantenha sempre uma posição correcta, em perfeito equilíbrio.** Desta forma será mais fácil manter o controlo sobre a ferramenta eléctrica em situações inesperadas.
- ▶ **Use roupa apropriada. Não use roupa larga ou jóias. Mantenha o cabelo, vestuário e luvas afastados das peças móveis.** Roupas largas, jóias ou cabelos compridos podem ficar presos nas peças móveis.
- ▶ **Se poderem ser montados sistemas de remoção e de recolha de pó, assegure-se de que estes estão ligados e são utilizados correctamente.** A utilização de um sistema de remoção de pó pode reduzir os perigos relacionados com a exposição ao mesmo.
- ▶ **Não se acomode numa falsa sensação de segurança e não ignore os regulamentos de segurança para ferramentas eléctricas, mesmo se estiver familiarizado com a ferramenta eléctrica após numerosas utilizações.** Agir de forma descuidada pode causar ferimentos graves dentro duma fracção de segundo.

Utilização e manuseamento da ferramenta eléctrica

- ▶ **Não sobrecarregue a ferramenta. Use para o seu trabalho a ferramenta eléctrica correcta.** Com a ferramenta eléctrica adequada obterá maior eficiência e segurança se respeitar os seus limites.
- ▶ **Não utilize a ferramenta eléctrica se o interruptor estiver defeituoso.** Uma ferramenta eléctrica que já não possa ser accionada pelo interruptor é perigosa e deve ser reparada.
- ▶ **Retire a ficha da tomada e/ou remova uma bateria amovível antes de efectuar ajustes na ferramenta, substituir acessórios ou guardar a ferramenta.** Esta medida preventiva evita o accionamento accidental da ferramenta eléctrica.



- ▶ **Guarde ferramentas eléctricas não utilizadas fora do alcance das crianças. Não permita que a ferramenta seja utilizada por pessoas não familiarizadas com a mesma ou que não tenham lido estas instruções.** Ferramentas eléctricas operadas por pessoas não treinadas são perigosas.
- ▶ **Faça uma manutenção regular de ferramentas eléctricas e acessórios. Verifique se as partes móveis funcionam perfeitamente e não emperram ou se há peças quebradas ou danificadas que possam influenciar o funcionamento da ferramenta eléctrica. Peças danificadas devem ser reparadas antes da utilização da ferramenta.** Muitos acidentes são causados por ferramentas eléctricas com manutenção deficiente.
- ▶ **Mantenha as ferramentas de corte sempre afiadas e limpas.** Acessórios com gumes afiados tratados correctamente emperram menos e são mais fáceis de controlar.
- ▶ **Utilize a ferramenta eléctrica, acessórios, bits, etc., de acordo com estas instruções. Tome também em consideração as condições de trabalho e o trabalho a ser efectuado.** A utilização da ferramenta eléctrica para outros fins além dos previstos, pode ocasionar situações de perigo.
- ▶ **Mantenha os punhos e respectivas superfícies secos, limpos e isentos de óleo e gordura.** Punhos e superfícies afins escorregadios não permitem um manuseamento e controlo seguro da ferramenta eléctrica em situações imprevistas.

Manutenção

- ▶ **A sua ferramenta eléctrica só deve ser reparada por pessoal qualificado e só devem ser utilizadas peças sobressalentes originais.** Isto assegurará que a segurança da ferramenta eléctrica se mantenha.

Normas de segurança para berbequins

Indicações de segurança para todos os trabalhos

- ▶ **Utilize o punho adicional.** A perda de controlo da ferramenta pode causar ferimentos.
- ▶ **Segure a ferramenta eléctrica pelas áreas isoladas dos punhos quando realizar trabalhos onde o acessório pode encontrar cabos eléctricos encobertos ou o próprio cabo de ligação.** O contacto com um cabo sob tensão também pode colocar partes metálicas da ferramenta sob tensão e causar um choque eléctrico.

Indicações de segurança em caso de utilização de brocas compridas

- ▶ **Não trabalhe, em caso algum, com uma velocidade de rotação maior do que a máxima velocidade admissível para a broca.** Se trabalhar com velocidades maiores, a broca poderá deformar-se ligeiramente, se poder rodar livremente, sem contacto com a peça a trabalhar, dando origem a ferimentos.
- ▶ **Inicie o processo de perfuração sempre a baixas rotações e enquanto a broca estiver em contacto com a peça a trabalhar.** Se trabalhar com velocidades maiores, a broca poderá deformar-se ligeiramente, se poder rodar livremente, sem contacto com a peça a trabalhar, dando origem a ferimentos.
- ▶ **Não aplique uma pressão excessiva e apenas no sentido longitudinal relativamente à broca.** As brocas podem deformar-se e, deste modo, partir ou originar uma perda de controlo, dando origem a ferimentos.

Normas de segurança adicionais

Segurança física

- ▶ Utilize o produto e os acessórios somente se estiverem em perfeitas condições técnicas.
- ▶ Nunca efetue quaisquer manipulações ou modificações no produto ou nos acessórios.
- ▶ Na utilização guiada à mão, segure a ferramenta sempre com as duas mãos nos punhos previstos para o efeito. Mantenha os punhos secos, limpos e isentos de óleos e massas.
- ▶ Se a ferramenta for utilizada sem o dispositivo de aspiração de poeira, é indispensável colocar uma máscara antipoeiras.
- ▶ Faça frequentemente pausas e exercícios para melhorar a circulação sanguínea nos dedos. Os trabalhos mais longos, devido às intensas vibrações, podem causar distúrbios nos vasos sanguíneos ou no sistema nervoso dos dedos, mãos ou pulsos.
- ▶ Evite o contacto com peças rotativas. Ligue a ferramenta apenas quando estiver no local de trabalho. O contacto com peças rotativas, nomeadamente brocas, discos, lâminas, etc. pode causar ferimentos.
- ▶ Durante o trabalho, mantenha o cabo de alimentação, a extensão e, em caso de necessidade, também o tubo flexível do aspirador sempre na parte de trás da ferramenta. Evite assim tropeçar nos cabos ou tubo durante os trabalhos.
- ▶ Evite o contacto da pele com a lama resultante da perfuração.
- ▶ Use luvas de protecção durante a substituição de acessórios. A ferramenta pode ficar quente devido à utilização.
- ▶ Deve ensinar-se às crianças que não podem brincar com a ferramenta.
- ▶ A ferramenta não está concebida para a utilização por crianças ou pessoas debilitadas sem formação.
- ▶ Pós de materiais, como tinta com chumbo, algumas madeiras, minerais e metal podem ser nocivos. O contacto com ou a inalação dos pós podem provocar reacções alérgicas e/ou doenças das vias respiratórias no operador ou em pessoas que se encontrem nas proximidades. Determinados pós, como os de carvalho ou de faia, são considerados cancerígenos, especialmente em combinação com aditivos para o tratamento de madeiras (cromato, produtos para a preservação de madeiras). Material que contenha amianto só pode ser trabalhado por pessoal especializado. Se possível, utilize um aspirador de pó. Para alcançar um elevado grau de remoção de pó, utilize um aspirador móvel adequado e recomendado pela Hilti para madeira e/ou pó mineral, que tenha sido adaptado para esta ferramenta eléctrica. Assegure-se de que o local de trabalho está bem ventilado. Recomenda-se que use uma máscara antipoeiras com filtro da classe P2. Respeite as regulamentações em vigor no seu país relativas aos materiais a trabalhar.
- ▶ O utilizador e restantes pessoas que se encontrem na proximidade da ferramenta devem usar óculos de protecção, capacete de protecção, protecção auricular, luvas de protecção, calçado de segurança e máscara de protecção respiratória.

Utilização e manutenção de ferramentas eléctricas

- ▶ Para maior segurança e porque assim fica com ambas as mãos livres para segurar a ferramenta, use grampos ou um torno para segurar peças soltas.
- ▶ Verifique se os acessórios utilizados são compatíveis com o sistema de encaixe e se estão corretamente encaixados no porta-ferramentas.
- ▶ Em caso de corte de energia, desligue a ferramenta e retire a ficha da tomada. Isto impede que a ferramenta seja colocada involuntariamente em funcionamento quando o corte de energia é reparado.



- ▶ Não utilize acessórios danificados. Antes de cada utilização, examine os acessórios em relação a fragmentos e fissuras, desgaste ou forte deterioração. Não utilize ferramentas danificadas. Fragmentos da peça a trabalhar ou de acessórios partidos podem ser projetados e provocar ferimentos mesmo para além da zona de trabalho imediata.
- ▶ O produto possui, em conformidade com as suas aplicações, um binário elevado. Utilize o punho auxiliar e trabalhe com o produto sempre com ambas as mãos. O utilizador tem de estar preparado para a eventualidade de a ferramenta bloquear repentinamente e ter uma posição de trabalho absolutamente segura com ambos os pés.

Segurança elétrica

- ▶ Antes de iniciar os trabalhos, verifique o local de trabalho relativamente a cabos elétricos encobertos, bem como tubos de gás e água, por ex., com um detetor de metais. Partes metálicas externas da ferramenta podem transformar-se em condutores de corrente se, por ex., uma linha elétrica for danificada inadvertidamente. Isto representa um sério perigo de choque elétrico.
- ▶ Nunca opere a ferramenta sem o PRCO fornecido juntamente (na versão GB, nunca sem transformador de isolamento). Verifique o PRCO antes de cada utilização.
- ▶ Verifique o cabo elétrico regularmente. Se danificado, deve ser imediatamente substituído por um especialista. Quando o cabo de ligação da ferramenta elétrica está danificado, deve ser substituído por um cabo de ligação preparado e especificamente autorizado, que se encontra disponível através do Serviço de Clientes Hilti. Verifique as extensões de cabo regularmente. Se estiverem danificadas, deverão ser substituídas. Se danificar o cabo ou a extensão enquanto trabalha, não lhe toque. Retire a ficha de rede da tomada. Linhas de conexão e extensões danificadas representam um risco de choque elétrico.
- ▶ Procure proteger-se de choques elétricos. Evite o contacto do corpo com partes ligadas à terra, como, por exemplo, tubos e radiadores.
- ▶ Não utilize nenhum adaptador para invalidar a ligação à massa.
- ▶ Manter as peças elétricas da ferramenta elétrica e as pessoas na área de trabalho afastadas da água.

Local de trabalho

- ▶ Assegure-se de que o local de trabalho está bem ventilado. Áreas de trabalho mal ventiladas podem suscitar problemas de saúde devido à inalação de pó.
- ▶ Ao executar trabalhos poeirentos, conecte um sistema de remoção de pó. Materiais nocivos para a saúde (por ex., amianto) não podem ser perfurados.
- ▶ Deverá obter-se previamente junto do engenheiro ou arquiteto da obra uma autorização para iniciar trabalhos de perfuração e corte. Os trabalhos de perfuração em edifícios podem influenciar a estática da estrutura, especialmente quando se cortam vigas de reforço ou outros componentes de suporte.
- ▶ Em trabalhos de exterior, use luvas de borracha e calçado antiderrapante.
- ▶ Ao efetuar furos de atravessamento através de paredes, proteja a área atrás da parede, visto que material ou a carote podem cair para trás. Ao efetuar furos de atravessamento através de tetos, proteja a área situada por baixo, visto que material ou a carote podem cair para baixo.

Descrição

Vista geral do produto

- | | | | |
|---|-----------------------------|---|---|
| ① | Punho auxiliar | ⑦ | Interruptor on/off |
| ② | Seletor de velocidades | ⑧ | Punho |
| ③ | Secção da engrenagem | ⑨ | Cabo de alimentação com PRCO |
| ④ | Motor | ⑩ | Porta-ferramentas |
| ⑤ | Tampa das escovas de carvão | ⑪ | Indicador de proteção antirroubo (opcional) |
| ⑥ | Indicador de manutenção | ⑫ | Ligação da água |

Utilização correta

O DD 110-W é um perfurador diamantado elétrico e destina-se à perfuração manual a seco em alvenaria e perfuração manual a húmido em betão e materiais minerais. Trabalhos em suspensão na perfuração a húmido são rigorosamente proibidos.

Não é permitido perfurar materiais que produzem pós condutores de corrente (por exemplo, magnésio). Se possível, para a respetiva utilização, utilize um removedor de pó móvel.

Para evitar ferimentos, utilize apenas coroas de perfuração originais Hilti e acessórios DD 110-W.

Observe igualmente as instruções de utilização e segurança dos acessórios. Siga as instruções referentes à utilização, à conservação e à manutenção constantes do manual de instruções.

A ferramenta foi concebida para uso profissional e só deve ser utilizada, mantida e reparada por pessoal autorizado e devidamente credenciado. Estas pessoas deverão estar informadas em particular sobre os potenciais perigos. O aparelho e seu equipamento auxiliar podem representar perigo se usados incorretamente por pessoas não qualificadas ou se usados para fins diferentes daqueles para os quais foram concebidos. A ferramenta é apropriada para trabalhar: em obra, em oficina, em trabalhos de renovação, reconstrução e construção de raiz.

Certifique-se de que a corrente elétrica à qual a ferramenta é ligada está de acordo com a mencionada na placa de características.

Materiais nocivos para a saúde (p. ex., amianto) não podem ser processados.

Não é permitida a modificação ou manipulação do aparelho.

Incluído no fornecimento

Ferramenta com punho auxiliar e porta-ferramentas, manual de instruções

Poderá encontrar outros produtos de sistema aprovados para o seu produto na sua **Hilti Store** ou em: **www.hilti.group**

Sistema de protecção anti-roubo TPS (opcional)

O seu produto pode estar equipado com a função Protecção anti-roubo TPS como opção. Nesse caso, só poderá ser activado e operado com a respectiva chave.



Características técnicas

Consulte a tensão nominal, corrente nominal, frequência e/ou potência nominal na sua placa indicadora de potência específica do país.

Em caso de alimentação por um gerador ou transformador, a respetiva potência de saída mínima deverá corresponder ao dobro da potência nominal indicada na placa de características do produto. A tensão em carga do transformador ou gerador deverá encontrar-se sempre entre +5% e -15% da tensão nominal da ferramenta.

Geração de produtos		01
Peso de acordo com o Procedimento EPTA de 01/2003		5,7 kg
Peso		5,7 kg (12,6 lb)
Rotação	1.ª velocidade	740 rpm
	2.ª velocidade	1 580 rpm
Dimensões (comprimento x largura x altura)		457 mm x 120 mm x 170 mm (18,0 in x 4,7 in x 6,7 in)
Classe de proteção		I
Pressão permitida da água		≤ 6 bar
Temperatura ambiente durante o funcionamento		-17 °C ... 60 °C (1 °F ... 140 °F)
Temperatura de armazenagem		-20 °C ... 70 °C (-4 °F ... 158 °F)

Diâmetro da coroa de perfuração

	1.ª velocidade	2.ª velocidade
Ø Coroas de perfuração PCM a seco	42 mm ... 162 mm (1,7 in ... 6,4 in)	*/*
Ø Coroas de perfuração HDM a seco	102 mm ... 162 mm (4,0 in ... 6,4 in)	16 mm ... 87 mm (0,6 in ... 3,4 in)
Ø Coroas de perfuração HWC a húmido	122 mm ... 132 mm (4,8 in ... 5,2 in)	25 mm ... 112 mm (1,0 in ... 4,4 in)

Utilização de extensões de cabo

AVISO

Perigo devido a cabo danificado! Se danificar o cabo enquanto trabalha, não lhe toque e desligue o aparelho imediatamente. Retire a ficha de rede da tomada.

- ▶ Verifique o cabo eléctrico regularmente. Se danificado, deve ser imediatamente substituído por um especialista.
- Utilize apenas cabos de extensão aprovados para o tipo de aplicação em causa e com a secção transversal adequada. A inobservância desta recomendação pode resultar numa perda de potência da ferramenta e no sobreaquecimento do cabo.
- Examine o cabo periodicamente em relação a eventuais danos.
- Substitua os cabos de extensão danificados.
- Em trabalhos de exterior, utilize apenas extensões com secção apropriada e correspondentemente indicadas.

No final desta documentação encontrará as secções de cabo mínimas e comprimentos máximos sob a forma de código QR.

Preparação do local de trabalho

CUIDADO

Risco de ferimentos! Arranque inadvertido do produto.

- ▶ Retire a ficha antes de efectuar ajustes na ferramenta ou substituir acessórios.

Tenha em atenção as instruções de segurança e as advertências nesta documentação e no produto.

Ajustar o punho auxiliar

1. Solte o punho auxiliar, rodando o punho auxiliar no sentido contrário ao dos ponteiros do relógio.
2. Posicione o punho auxiliar.
3. Fixe o punho auxiliar, rodando o punho auxiliar no sentido dos ponteiros do relógio.
4. Certifique-se de que o punho auxiliar está bem apertado.



Montagem da coroa diamantada de perfuração com porta-ferramentas BI+

CUIDADO

Risco de ferimentos ao efectuar a substituição de acessórios ! O acessório fica quente após utilização prolongada. Pode apresentar arestas vivas.

- ▶ Use sempre luvas de protecção durante a substituição de acessórios.



Coroas diamantadas têm de ser substituídas logo que a capacidade de corte ou o avanço da perfuração diminuir perceptivelmente. Isso acontece, em geral, quando os segmentos diamantados se desgastaram até um determinado nível (<2 mm).

Os mandris BR, BT, M16 e M27 são aplicados com uma chave de bocas própria.

O mandril, o adaptador e a ferramenta devem estar livres de sujidade.

1. Abra o porta-ferramentas rodando-o no sentido do símbolo .
2. Insira a coroa diamantada de perfuração, a partir da frente, no dentado do porta-ferramentas no perfurador diamantado e rode-a até que engate.
3. Feche o porta-ferramentas rodando-o no sentido do símbolo .
4. Verifique se a coroa diamantada de perfuração está bem encaixada no porta-ferramentas.

Desmontagem da coroa diamantada de perfuração com porta-ferramentas BI+

CUIDADO

Risco de ferimentos ao efectuar a substituição de acessórios ! O acessório fica quente após utilização prolongada. Pode apresentar arestas vivas.

- ▶ Use sempre luvas de protecção durante a substituição de acessórios.



Para mandris BR, BT, M27 e M16, fixe o mandril e remova então a coroa com uma chave de bocas adequada a cada peça.

1. Abra o porta-ferramentas rodando-o no sentido do símbolo .
2. Puxe o anel na base do porta-ferramentas na direção da ferramenta (seta). Isto destrava a coroa de perfuração.
3. Retire a coroa diamantada de perfuração.

Montagem da coroa de abrir tomadas com sistema de remoção de pó

1. Introduza a guia de perfuração, com a ponta virada para a frente, no encabadouro para coroas de abrir tomadas com sistema de remoção de pó até encostar.
2. Monte o encabadouro no mandril de acordo com a montagem da coroa diamantada.
3. Empurre o anel de bloqueio e o sistema de remoção de pó para trás, na direção do perfurador diamantado.
4. Monte a coroa de abrir tomadas no encabadouro.
5. Empurre o sistema de remoção de pó no sentido da ferramenta até encostar à coroa de perfuração e fixe-o nesta posição, empurrando o anel de bloqueio no sentido da coroa de abrir tomadas.
6. Verifique a liberdade de rotação do sistema de remoção de pó em relação ao perfurador diamantado.

Selecionar a rotação

CUIDADO

Perigo de danos! Dano no produto.

- ▶ Não altere a velocidade com a ferramenta em funcionamento. Aguarde até que o produto esteja parado.

Selecione a velocidade de acordo com o diâmetro da coroa utilizada.

- ▶ Mova o seletor de velocidades para a velocidade recomendada enquanto faz rodar a coroa manualmente.

Ligar o fornecimento de água

ATENÇÃO

Perigo em caso de utilização incorrecta! Em caso de utilização incorrecta, a mangueira poderá ser destruída.

- ▶ Verifique periodicamente o estado da mangueira e assegure-se de que não é excedida a pressão máxima permitida da água (consultar Características técnicas 40).
- ▶ Certifique-se de que a mangueira não entra em contacto com peças em rotação.
- ▶ Certifique-se de que a mangueira não é danificada durante o avanço do patim.
- ▶ Tenha em atenção a indicação sobre a temperatura máxima da água no capítulo Características técnicas 40.
- ▶ Verifique a estanquidade do sistema de alimentação de água utilizado.



Utilize apenas água potável ou água sem partículas de sujidade de modo a evitar uma danificação dos componentes.

1. Feche o regulador do fluxo de água no perfurador diamantado.
2. Estabeleça a ligação ao fornecimento de água (acoplamento para mangueiras).



Utilização **AVISO**

Perigo devido a cabo danificado! Se danificar o cabo enquanto trabalha, desligue imediatamente o aparelho e o cabo da rede elétrica. Não toque no local com defeito!

- ▶ Verifique regularmente todos os cabos de alimentação. Substitua o cabo de extensão defeituoso. Mande substituir os cabos de alimentação danificados por um especialista reconhecido.


Por princípio, recomendamos a utilização de um disjuntor diferencial (RCD) com uma corrente de disparo de, no máximo, 30 mA.


Sistema de proteção antirroubo TPS (opcional)

O seu produto pode estar equipado com a função Proteção antirroubo TPS como opção. Se o seu produto tiver esta função, só poderá ser ativado e operado com a respetiva chave de ativação.

Ativar o produto

- ▶ Certifique-se de que o produto é alimentado com tensão de rede. A luz indicadora amarela do sistema de proteção antirroubo pisca. O produto está agora pronto para a receção do sinal da chave de ativação.
- ▶ Coloque a chave de ativação ou a fivela do relógio TPS diretamente sobre o símbolo de bloqueio (cadeado). Assim que a luz indicadora amarela do sistema de proteção antirroubo apagar, o produto está ativado.

 Quando se desliga a ferramenta, por exemplo, ao mudar de local de trabalho ou em caso de corte de energia, esta mantém-se operacional durante, aproximadamente, 20 minutos. Quando a interrupção é mais prolongada, é necessário desativar de novo a proteção contra roubo através da chave de ativação.

 No manual de instruções "Sistema de proteção antirroubo TPS", poderá encontrar mais informações pormenorizadas relativas à ativação e emprego do sistema de proteção antirroubo.

Utilização da broca de centragem de duas peças **CUIDADO**

Risco de ferimentos devido a aplicação errada! Podem soltar-se partes da broca de centragem, caso esta não seja pressionada contra o material base.

- ▶ Em caso de utilização de uma broca de centragem, não opere o perfurador diamantado em vazio sem contacto com o material base.

 É necessário um dispositivo auxiliar de centragem do furo (broca de centragem) diferente para cada diâmetro de coroa.

1. Coloque a broca de centragem na extremidade da coroa.
2. No início da perfuração, empurre apenas ligeiramente até que a coroa de perfuração fique centrada. Só depois aumente a pressão gradualmente. Abra um corte inicial com uma profundidade de 1/8" a 3/16".
3. Pare o produto soltando o interruptor on/off. Aguarde até que a coroa de perfuração fique completamente imobilizada.
4. Retire a broca de centragem da coroa de perfuração.
5. Posicione a coroa de perfuração no corte inicial, pressione o interruptor on/off e prossiga com a perfuração.


Operar o disjuntor de segurança PRCD **AVISO**

Perigo de ferimentos devido a choque eléctrico! Se a indicação no disjuntor diferencial não apagar ao pressionar a tecla **0** ou **TEST**, o perfurador diamantado não poderá continuar a ser utilizado!

- ▶ Mande reparar o seu perfurador diamantado no Centro de Assistência Técnica **Hilti**.


1. Encaixe a ficha do perfurador diamantado numa tomada de corrente com ligação à terra.
2. Prima o botão **I** ou **RESET** no disjuntor de segurança PRCD.
 - ▶ A indicação acende-se.
3. Prima o botão **0** ou **TEST** no disjuntor de segurança PRCD.
 - ▶ A indicação apaga-se.
4. Prima o botão **I** ou **RESET** no disjuntor de segurança PRCD.
 - ▶ A indicação acende-se.


Perfuração a seco com extração de pó

 Uma acumulação substancial de pó na coroa de perfuração pode dar origem a um desequilíbrio. Durante o trabalho, mantenha o tubo flexível de aspiração sempre na retaguarda do perfurador diamantado para que não entre em contacto com a coroa de perfuração.

- ▶ Utilize um aspirador antiestático para evitar efeitos eletrostáticos.

Perfuração a seco com aspirador através de tomada de rede integrada para aparelhos elétricos 

 Utilize coroas de perfuração ranhuradas apenas quando trabalha sem extração de pó.

1. Ajuste o punho auxiliar para a posição pretendida e fixe-o.
2. Opcional: Monte e utilize a broca de centragem de duas peças.  42



3. Ligue a ficha do perfurador diamantado à tomada do aspirador.
4. Ligue o aspirador à corrente elétrica.
5. Quando conectado: pressione o botão **Reset** ou **I** do PRCD.
6. Posicione o perfurador diamantado no centro da furação.
7. Pressione o interruptor on/off do perfurador diamantado.



O aspirador arranca com atraso depois da ferramenta elétrica. Depois de desligada a ferramenta elétrica, o aspirador desliga com atraso.

Perfuração a seco com aspirador sem tomada de rede para ferramentas elétricas



Utilize coroas de perfuração ranhuradas apenas quando trabalha sem extração de pó.

1. Ajuste o punho auxiliar para a posição pretendida e fixe-o.
2. Opcional: Monte e utilize a broca de centragem de duas peças. 42
3. Ligue a ficha do aspirador à corrente elétrica e ligue o aspirador.
4. Ligue a ficha do perfurador diamantado à corrente elétrica e pressione o botão **Reset** ou **I** do PRCD.
5. Posicione o perfurador diamantado no centro da furação.
6. Pressione o interruptor on/off do perfurador diamantado.
7. Deixe o aspirador trabalhar alguns segundos mais do que o perfurador diamantado, para ainda aspirar o material restante.

Perfuração a seco sem sistema de remoção de pó



Se perfurar a seco sem sistema de remoção de pó, utilize coroas de perfuração ranhuradas. Use uma máscara antipoeiras adequada! Não fure para cima se trabalhar sem sistema de remoção de pó.
Retire o sistema de remoção de pó ou fixe-o para que não rode.

1. Ajuste o punho auxiliar para a posição pretendida e fixe-o.
2. Opcional: Monte e utilize a broca de centragem de duas peças. 42
3. Ligue a ficha à corrente elétrica e pressione o botão **Reset** ou **I** do PRCD.
4. Posicione o perfurador diamantado no centro da furação.
5. Pressione o interruptor on/off do perfurador diamantado.

Perfuração a húmido



AVISO

Perigo devido a choque elétrico! Em caso de aspiração defeituosa pode correr água através do motor e da cobertura!

- ▶ Interrompa imediatamente o trabalho quando a aspiração deixar de funcionar.



Nas perfurações para cima é obrigatória a utilização de um aspirador de líquidos em combinação com um sistema coletor de água!

1. Ajuste o punho auxiliar para a posição pretendida e fixe-o.
2. Opcional: Monte e utilize a broca de centragem de duas peças. 42
3. Posicione o perfurador diamantado no centro da furação.
4. Abra lentamente o regulador do fluxo de água até que flua o volume de água desejado.
5. Pressione o interruptor on/off do perfurador diamantado.
6. No início da perfuração, empurre apenas ligeiramente até que a coroa de perfuração fique centrada. Só depois aumente a pressão gradualmente.

Soltar a coroa de perfuração com a chave de forqueta



Se a coroa de perfuração encravar, a embraiagem desativa-se até o utilizador desligar a ferramenta.

1. Retire a ficha de rede da tomada.
2. Segure a coroa perto do encabadouro com uma chave de forqueta adequada e solte-a, rodando-a.
3. Ligue a ficha de rede à tomada.
4. prossiga o processo de perfuração.

Desligar



A coroa de perfuração está cheia de pó/água e resíduos da perfuração. Tenha em atenção o peso adicional na coroa de perfuração e garanta uma posição segura antes de puxar a coroa de perfuração para fora do orifício.

1. Retire a coroa do furo.
2. Desligue o perfurador diamantado.
3. Se necessário, feche o regulador do fluxo de água.



Conservação e manutenção

AVISO

Perigo devido a choque eléctrico! A conservação e manutenção com a ficha de ligação inserida pode originar ferimentos graves e queimaduras.

- ▶ Retirar sempre a ficha de ligação antes de todos os trabalhos de conservação e manutenção!

Conservação

- Remover a sujidade persistente com cuidado.
- Limpe as saídas de ar cuidadosamente com uma escova seca.
- Limpar a carcaça apenas com um pano ligeiramente humedecido. Não utilizar produtos de conservação que contenham silicone, uma vez que estes poderiam danificar os componentes de plástico.

Manutenção

AVISO

Perigo devido a choque eléctrico! Reparações incorrectas em peças eléctricas podem causar ferimentos e queimaduras graves.

- ▶ As reparações na parte eléctrica apenas podem ser executadas por um electricista especializado.
- Verificar, regularmente, todos os componentes visíveis quanto a danos e os comandos operativos quanto a funcionamento perfeito.
- Em caso de danos e/ou perturbações de funcionamento, não operar o produto. Mandar reparar de imediato pelo Centro de Assistência Técnica Hilti.
- Após os trabalhos de conservação e manutenção, aplicar todos os dispositivos de protecção e verificar o respectivo funcionamento.

Para um funcionamento seguro, utilize apenas peças sobresselentes e consumíveis originais. Poderá encontrar peças sobresselentes, consumíveis e acessórios aprovados por nós para o seu produto no seu **Hilti Store** ou em: **www.hilti.group**.

Substituir as escovas de carvão

AVISO

Perigo de ferimentos devido a choque eléctrico !

- ▶ A manutenção e reparação da ferramenta só deve ser feita por pessoal devidamente autorizado e especializado! Estas pessoas deverão ser informadas sobre os potenciais perigos que a ferramenta representa.
1. Abra as tampas laterais (esquerda e direita) das escovas do motor.
 2. **Repare como estão colocadas as escovas e instalados os fios.** Retire as escovas gastas do perfurador diamantado.
 3. Coloque as escovas novas exatamente da mesma forma como estavam as usadas.

Ao colocá-las, preste atenção para não danificar o isolamento do fio de aviso.

4. Aparafuse as tampas laterais (esquerda e direita) das escovas no motor.
5. Deixe as escovas de carvão trabalhar em vazio ininterruptamente durante, pelo menos, 1 minuto.

Depois da substituição das escovas de carvão, a lâmpada de aviso apaga-se após aprox. 1 minuto de funcionamento.

Transporte e armazenamento

Transporte

- ▶ Não transporte este produto com a ferramenta inserida.
- ▶ Certificar-se de que está bem apertado durante o transporte.
- ▶ Após cada transporte, verifique todos os componentes visíveis quanto a danos e os comandos operativos quanto a funcionamento perfeito.

Armazenamento

- ▶ Armazene este produto sempre com a ficha de rede retirada.
- ▶ Guarde este produto num local seco e fora do alcance das crianças e pessoas não autorizadas.
- ▶ Antes do armazenamento do produto, abra o regulador do fluxo de água.
- ▶ Em caso de temperaturas abaixo do ponto de congelação, tenha atenção para que não fique água no produto.
- ▶ Após um armazenamento prolongado, verifique todos os componentes visíveis quanto a danos e os comandos operativos quanto a funcionamento perfeito.

Ajuda em caso de avarias

No caso de avarias que não sejam mencionadas nesta tabela ou se não conseguir resolvê-las por si mesmo, contacte o nosso Centro de Assistência Técnica Hilti.

O perfurador diamantado está pronto a funcionar



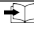


Avaria	Causa possível	Solução
 Indicador de manutenção está aceso.	O limite de desgaste das escovas de carvão está quase alcançado. O tempo de funcionamento restante até à desactivação automática do perfurador diamantado ainda é de algumas horas.	<ul style="list-style-type: none"> ▶ Substitua as escovas de carvão logo que possível.




Avaria	Causa possível	Solução
O perfurador diamantado não atinge a plena potência.	Perturbação na rede – ocorreu um caso de subtensão na rede eléctrica.	<ul style="list-style-type: none"> ▶ Verifique se existem outros consumidores na rede eléctrica ou, eventualmente, no gerador que possam originar problemas. ▶ Verifique o comprimento do cabo de extensão utilizado.
A coroa diamantada de perfuração não roda.	O selector de velocidades não prendeu.	▶ Accione o selector de velocidades, até prender.
	A coroa diamantada de perfuração encravou no material base.	<ul style="list-style-type: none"> ▶ Conduza o perfurador diamantado a direito. ▶ Solte a coroa diamantada de perfuração com uma chave de forqueta: retire a ficha de rede da tomada. Segure a coroa perto do encabadoiro com uma chave de forqueta adequada e solte-a, rodando-a.
A velocidade de perfuração vai diminuindo.	Atingida a profundidade máxima de perfuração.	▶ Retire a carote e utilize uma extensão da coroa de perfuração.
	A carote fica presa no interior da coroa diamantada de perfuração.	▶ Retire a carote.
	Especificação errada para o material base.	▶ Seleccione uma especificação da coroa diamantada de perfuração mais adequada.
	Grande percentagem de aço (identificável na água limpa com limalha).	▶ Seleccione uma especificação da coroa diamantada de perfuração mais adequada.
	Coroa diamantada de perfuração com defeito.	▶ Verifique se a coroa diamantada de perfuração apresenta danos e, se necessário, substitua-a.
	Seleccionada uma velocidade errada.	▶ Seleccione a velocidade correcta.
	Força de compressão demasiado baixa.	▶ Aumente a força de compressão.
	Potência insuficiente da ferramenta.	▶ Seleccione a velocidade mais baixa seguinte.
	Coroa diamantada de perfuração com muito desgaste.	▶ Afie a coroa diamantada de perfuração na placa de afiar.
	Volume de água demasiado alto.	▶ Reduza a quantidade de água com a regulação de água.
	Volume de água insuficiente.	▶ Controle o abastecimento de água à coroa diamantada de perfuração ou aumente a quantidade com a regulação de água.
O pó impede que a perfuração avance.	▶ Utilize um sistema de remoção de pó adequado.	
Impossível introduzir a coroa diamantada de perfuração no mandril.	Encabadoiro/mandril sujo ou danificado.	▶ Limpe o encabadoiro ou o mandril e lubrifique-os ou substitua-os.
Fuga de água na ligação da água ou na engrenagem.	A pressão da água é demasiado elevada.	▶ Reduza a pressão da água.
Fuga de água no mandril durante o funcionamento.	Coroa diamantada de perfuração insuficientemente aparafusada no mandril.	<ul style="list-style-type: none"> ▶ Aparafuse bem a coroa. ▶ Retire a coroa diamantada de perfuração. Rode a coroa aprox. 90° em torno do respectivo eixo. Monte novamente a coroa.
	Encabadoiro/mandril sujo.	▶ Limpe e lubrifique o encabadoiro ou o mandril.
	Vedante do mandril ou do encabadoiro com defeito.	▶ Verifique o vedante e, se necessário, substitua-o.
Folga excessiva no sistema de perfuração.	Coroa diamantada de perfuração insuficientemente aparafusada no mandril.	<ul style="list-style-type: none"> ▶ Aparafuse bem a coroa. ▶ Retire a coroa diamantada de perfuração. Rode a coroa aprox. 90° em torno do respectivo eixo. Monte novamente a coroa.
	Encabadoiro/mandril com defeito.	▶ Verifique o encabadoiro e o mandril e, se necessário, substitua-os.



O perfurador diamantado não está pronto a funcionar

Avaria	Causa possível	Solução
 Indicador de manutenção não apresenta nenhuma indicação.	PRCD não está ligado.	▶ Verifique a capacidade de funcionamento do PRCD e ligue-o.
	Alimentação eléctrica interrompida.	▶ Insira outra ferramenta eléctrica e verifique o funcionamento. ▶ Verifique as ligações de ficha, o cabo de rede, a linha de corrente e o fusível de rede.
	Água no motor.	▶ Deixe o perfurador diamantado secar totalmente num local quente e seco.
 Indicador de manutenção está aceso.	As escovas de carvão estão gastas.	▶ Substitua as escovas de carvão.  44
 Indicador de manutenção está a piscar.	Erro de velocidade.	▶ Desligue o perfurador diamantado da rede eléctrica e volte a ligar.
 O indicador de protecção anti-roubo pisca.	O perfurador diamantado não está activo (no caso do perfurador diamantado com protecção contra roubo, opcional).	▶ Active o perfurador diamantado com a chave de activação.

Reciclagem

 As ferramentas **Hilti** são, em grande parte, fabricadas com materiais recicláveis. Um pré-requisito para a reciclagem é que esses materiais sejam devidamente separados. Em muitos países, a **Hilti** aceita a sua ferramenta usada para reutilização. Para mais informações dirija-se ao Serviço de Clientes **Hilti** ou ao seu vendedor.



- ▶ Não deite as ferramentas eléctricas, aparelhos electrónicos e baterias no lixo doméstico!

Garantia do fabricante

- ▶ Se tiver dúvidas em relação às condições de garantia, contacte o seu parceiro **Hilti** local.

Mais informações

Pode consultar informações mais pormenorizadas sobre Utilização, Tecnologia, Meio ambiente e Reciclagem na seguinte hiperligação: qr.hilti.com/manual/?id=351007

Também pode encontrar esta hiperligação no final da documentação sob a forma de código QR.







Hilti Corporation
LI-9494 Schaan
Tel.:+423 234 21 11
Fax:+423 234 29 65
www.hilti.group



351007